


**Pole Star**   
 MODEL NO. 105FM150D/3V-1  
 230V 50Hz 1200RPM  
 0.8A 100W 4.0MFD 450V  
 CLASS B 4 POLE  
 THERMALLY PROTECTED  
 NO: ROT ←

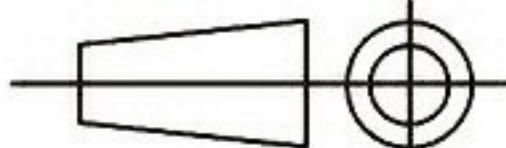
WHITE	NEUTRAL
BLACK	1VEL
GRY	2VEL
BLUE	3VEL
YELLOW	
YELLOW	CAP
YEL/GREEN	EARTH

30

Unit of Measurement: mm

SPECIFICATION					
Motor	<b>PSC</b>	Speed (RPM)	<b>1250</b>	Bearings	Ball
Voltage (V)	<b>230</b>	Motor Protection	<b>TH. Prot.</b>	Connection	<b>600mm</b>
Frequency (Hz)	<b>50/60</b>	Insulation Class	<b>B</b>	Number of Speeds	<b>3</b>
Power In/Out (W)	<b>150</b>	Protection Class	<b>IP42</b>	Rotation	<b>CW</b>
Current (A)	<b>0.7</b>	Capacitor (MF)	<b>4</b>		

**POLE STAR**  
 PRODUCTS LIMITED

POLE STAR PRODUCTS LIMITED	
Product Code	
<b>105FM150D/3V-1</b>	
Projection	A4
Angle	Scale:
± 3° 	Sheet: 1 of