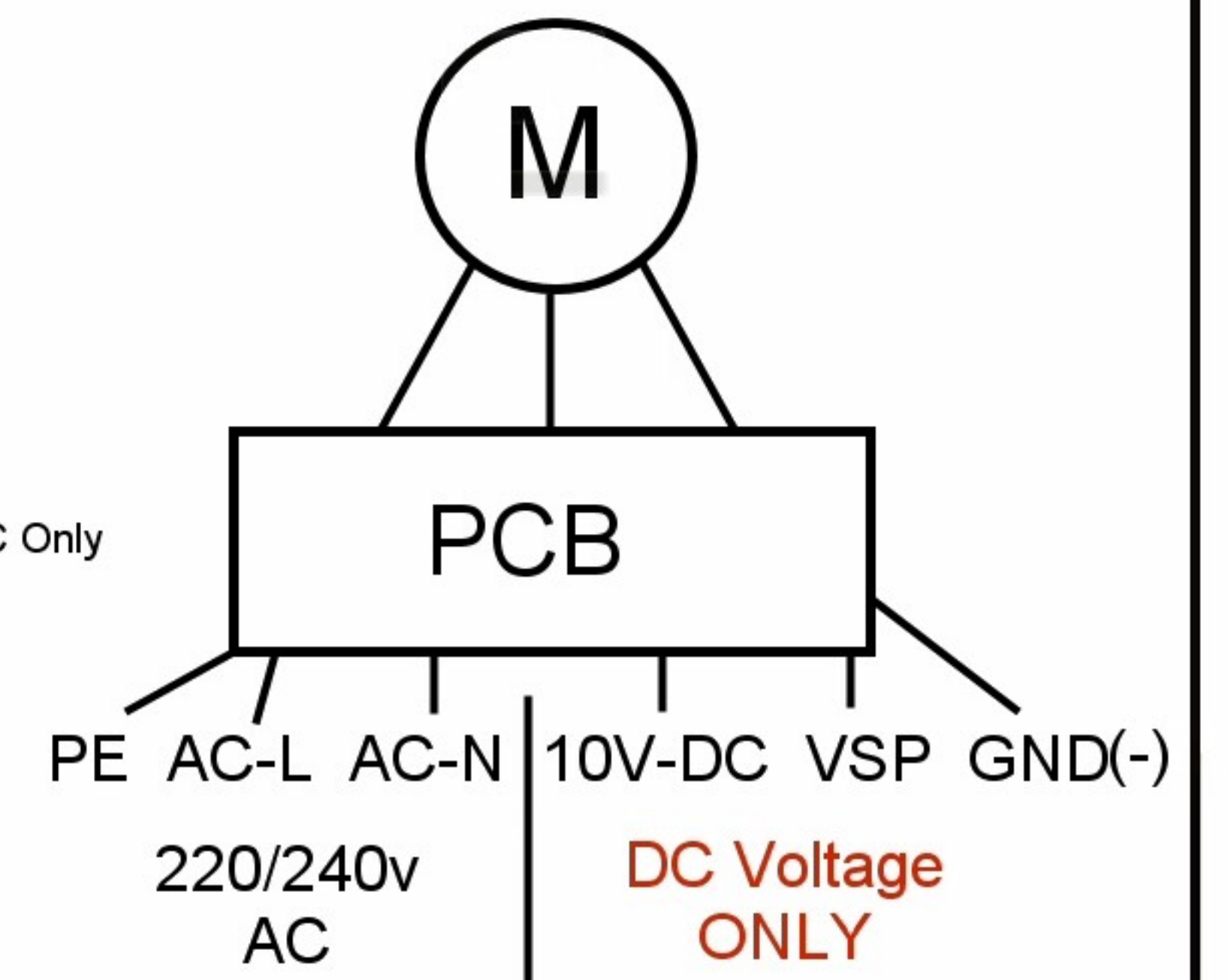


Wiring Details

**230V Mains A/C supply**  
 PE: Earth  
 A/C-L: A/C Live Connection  
 A/C-N: A/C Neutral Connection

**10V DC Speed Control Circuit**  
 10V: 10V DC Output  
 VSP: Variable speed (0-10V) DC Only  
 GND: Common/Negative (-)



SPECIFICATION					
Motor	BLDC	Speed (RPM)	1300	Bearings	Ball
Voltage (V)	DC 310V	Motor Protection	Th.Prot.	Weight (Kg)	
Input Voltage	230/240 A/C	Insulation Class	B		
Power In/Out (W)	120	Protection Class	IP44		
Current (A)	1.2	Max Amb. Temp	45°C		

**POLE STAR**  
 PRODUCTS LIMITED

POLE STAR PRODUCTS LIMITED	
Product Code <b>BLDC-120-1</b>	
Projection Angle ± 3°	A4 Scale: Sheet: 1 of