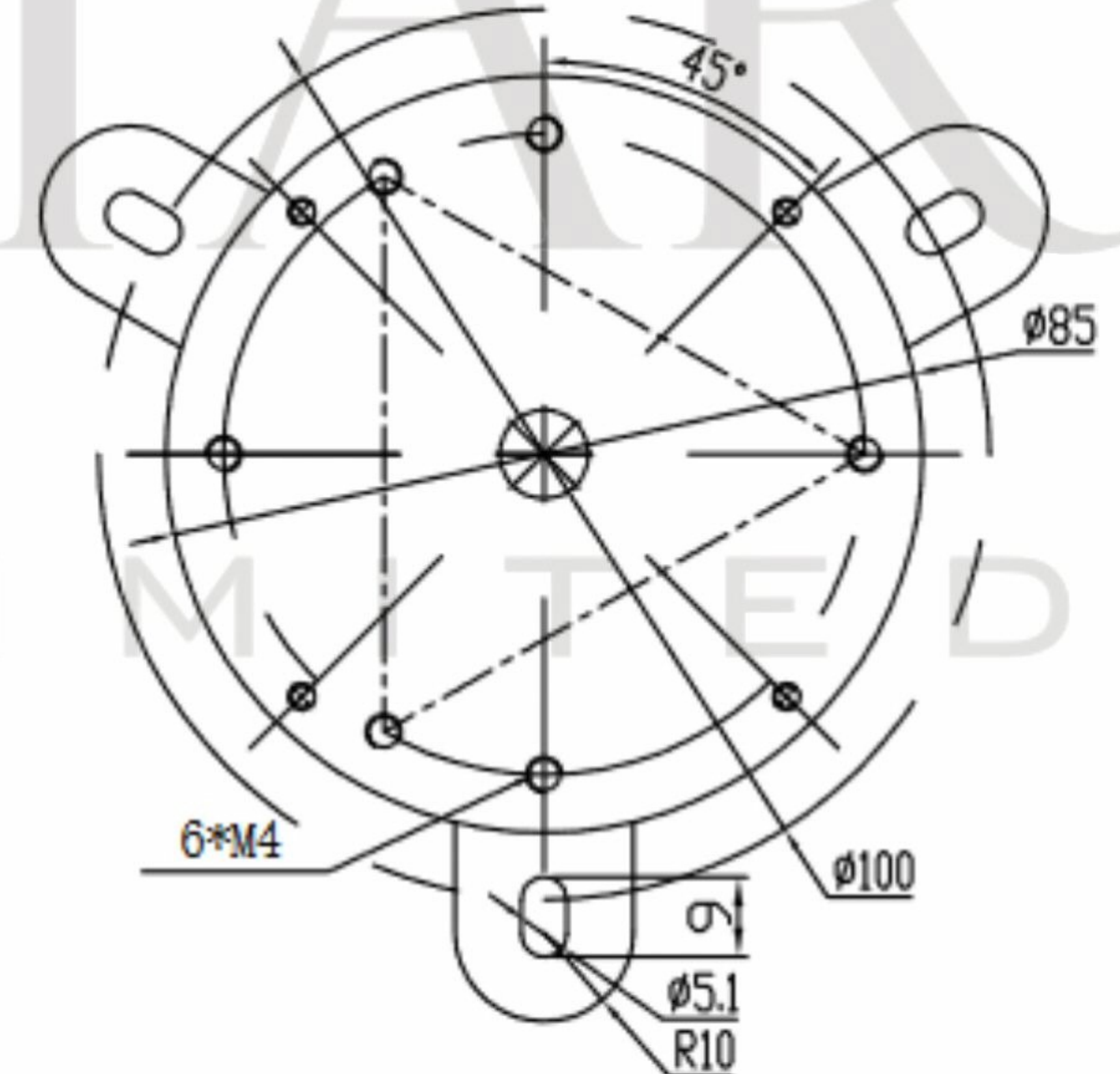
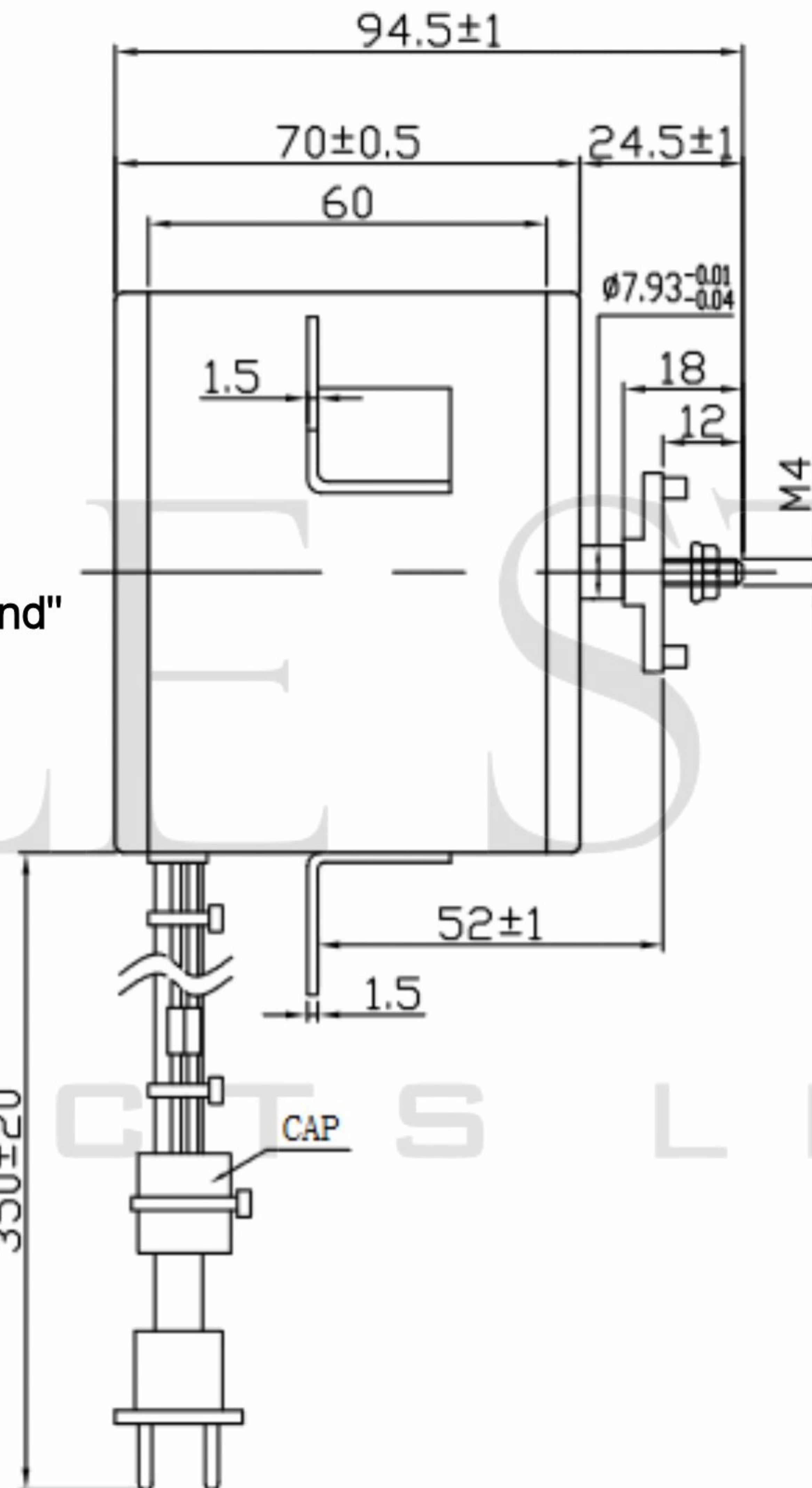
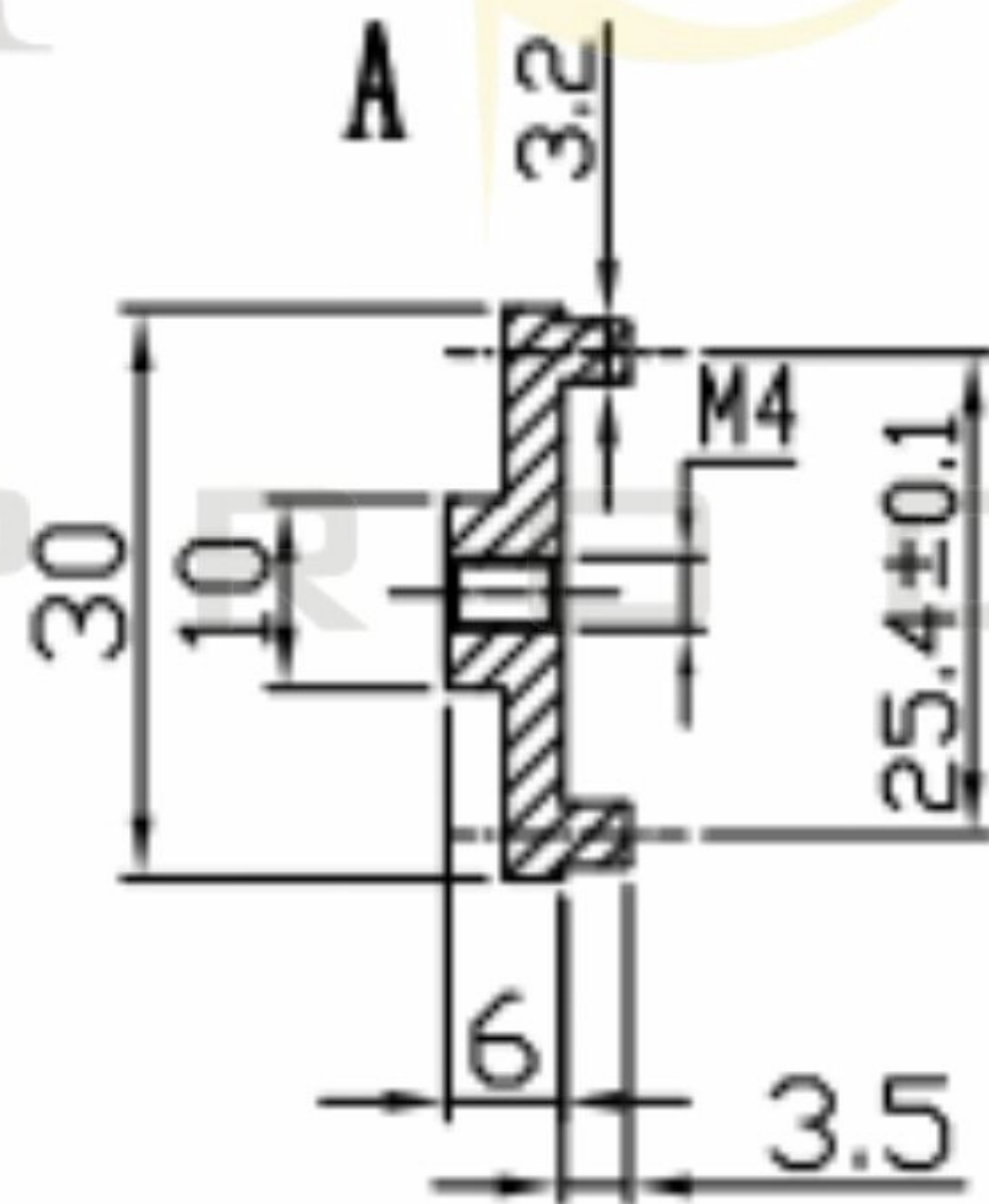


"Looking from shaft end"

ROTATION



| SPECIFICATION | | | | | |
|------------------|------|------------------|------|-------------|------|
| Motor | SP | Speed (RPM) | 1250 | Bearings | Ball |
| Voltage (V) | 230 | Motor Protection | | Weight (Kg) | 1 |
| Frequency (Hz) | 50 | Insulation Class | B | Noise dB(A) | |
| Power In/Out (W) | 19 | Protection Class | IP44 | Rotation | ACW |
| Current (A) | 0.16 | Capacitor (MF) | 2 | | |

POLE STAR
PRODUCTS LIMITED

| POLE STAR PRODUCTS LIMITED | |
|----------------------------|---------------|
| Product Code | 33FDUNI-PL-4 |
| Projection Angle | $\pm 3^\circ$ |
| Scale: | A4 |
| Sheet: | 1 of 1 |