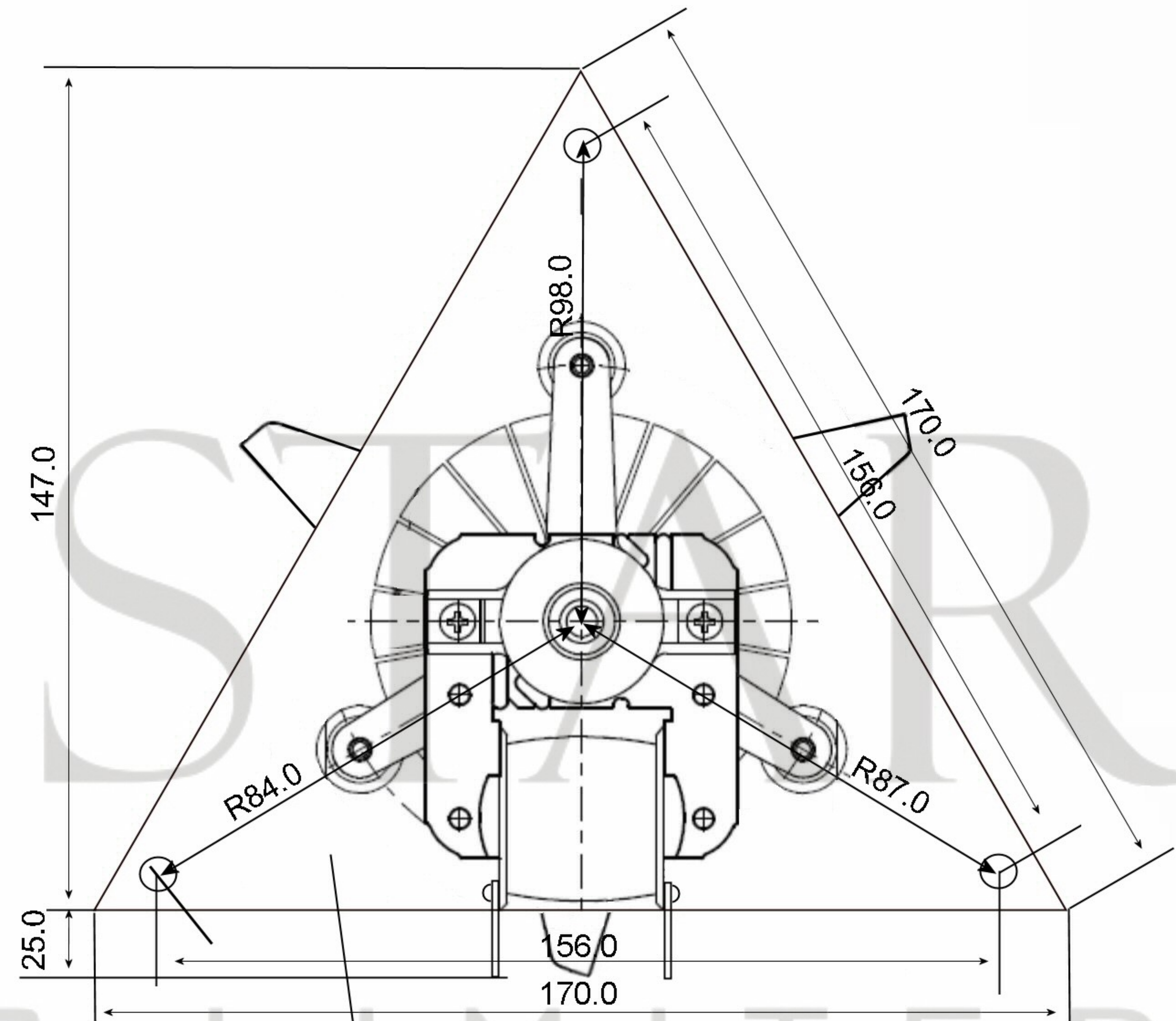


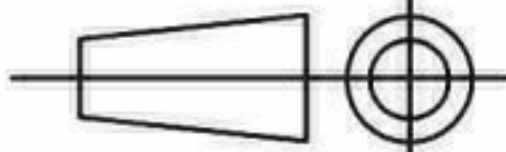
Stainless steel AISI 430 fan blade



Galv. steel triangular plate

SPECIFICATION					
Motor	SP	Speed (RPM)	1833	Bearings	Ball
Voltage (V)	220-240	Motor Protection	Imp. Prot.	Weight (Kg)	
Frequency (Hz)	50/60	Insulation Class	H		
Power In/Out (W)	32				
Current (A)	0.24				

POLE STAR
PRODUCTS LIMITED

POLE STAR PRODUCTS LIMITED	
Product Code	OF32TD-1
Projection Angle ± 3°	
	A4
	Scale: Sheet: 1 of