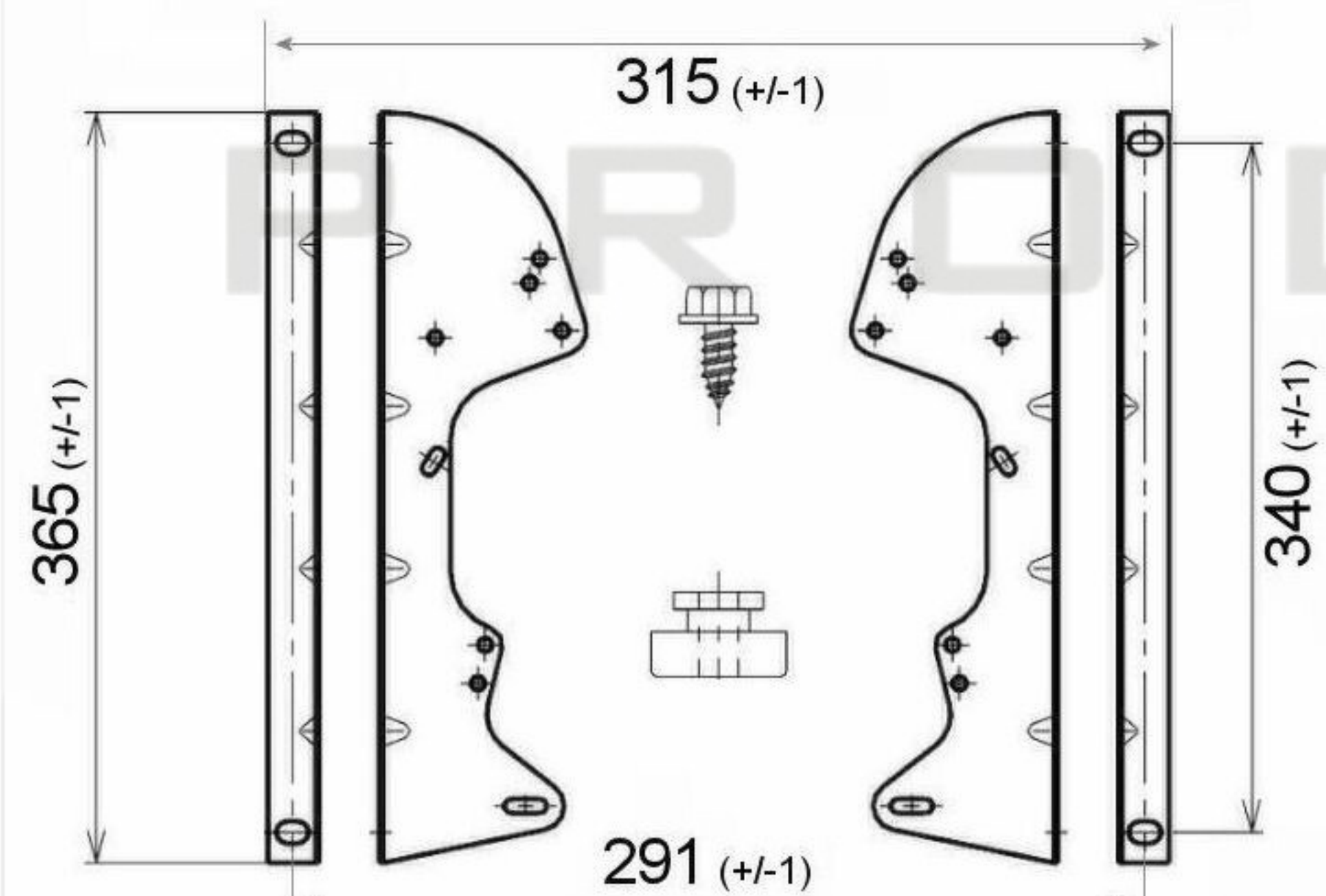
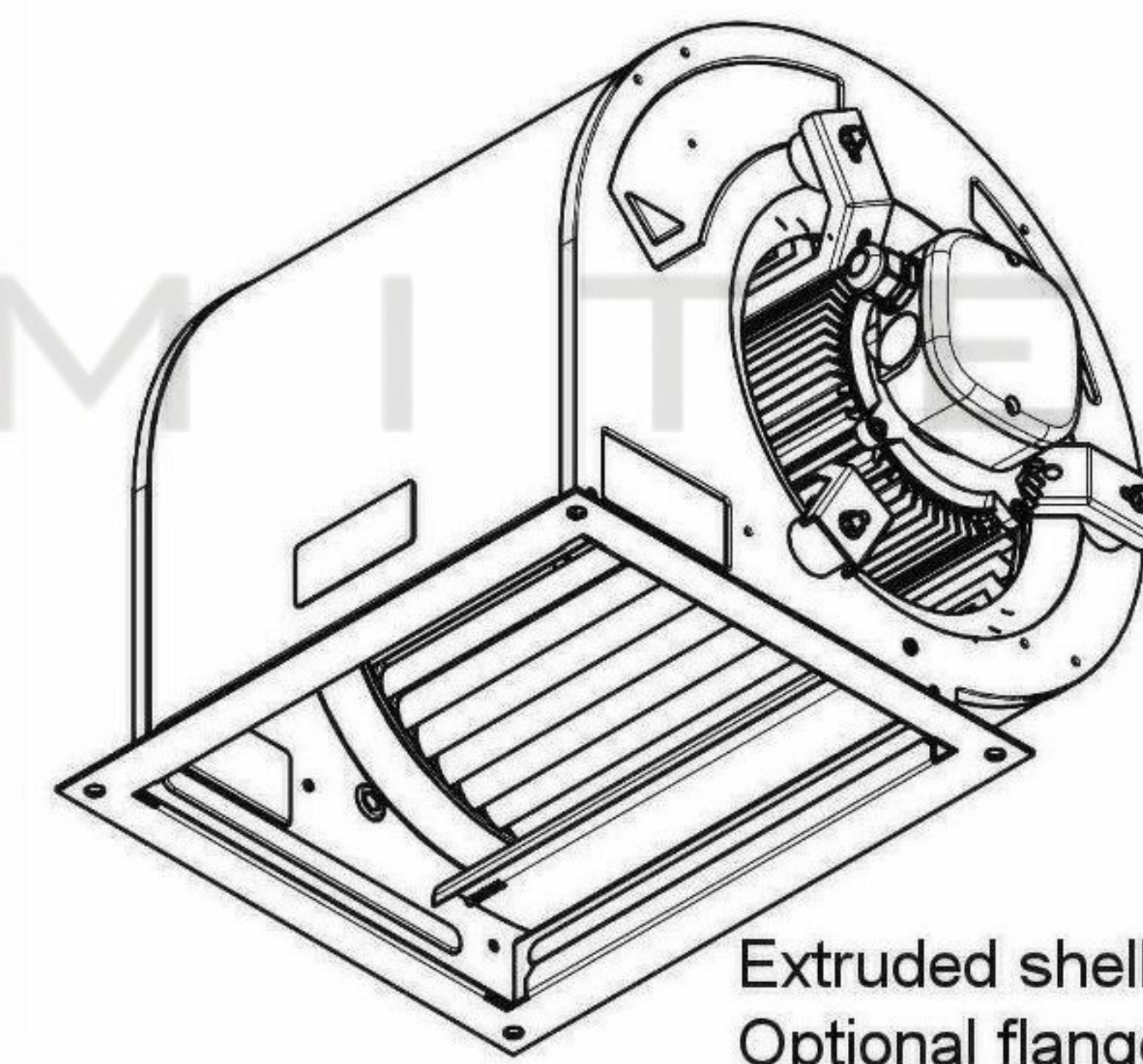
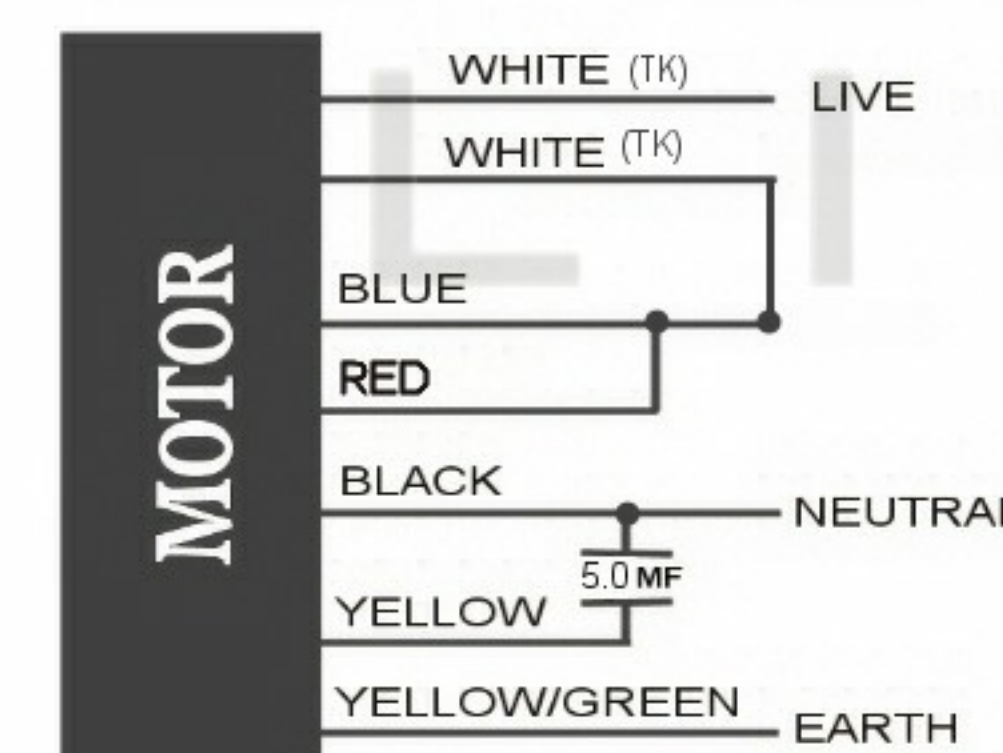
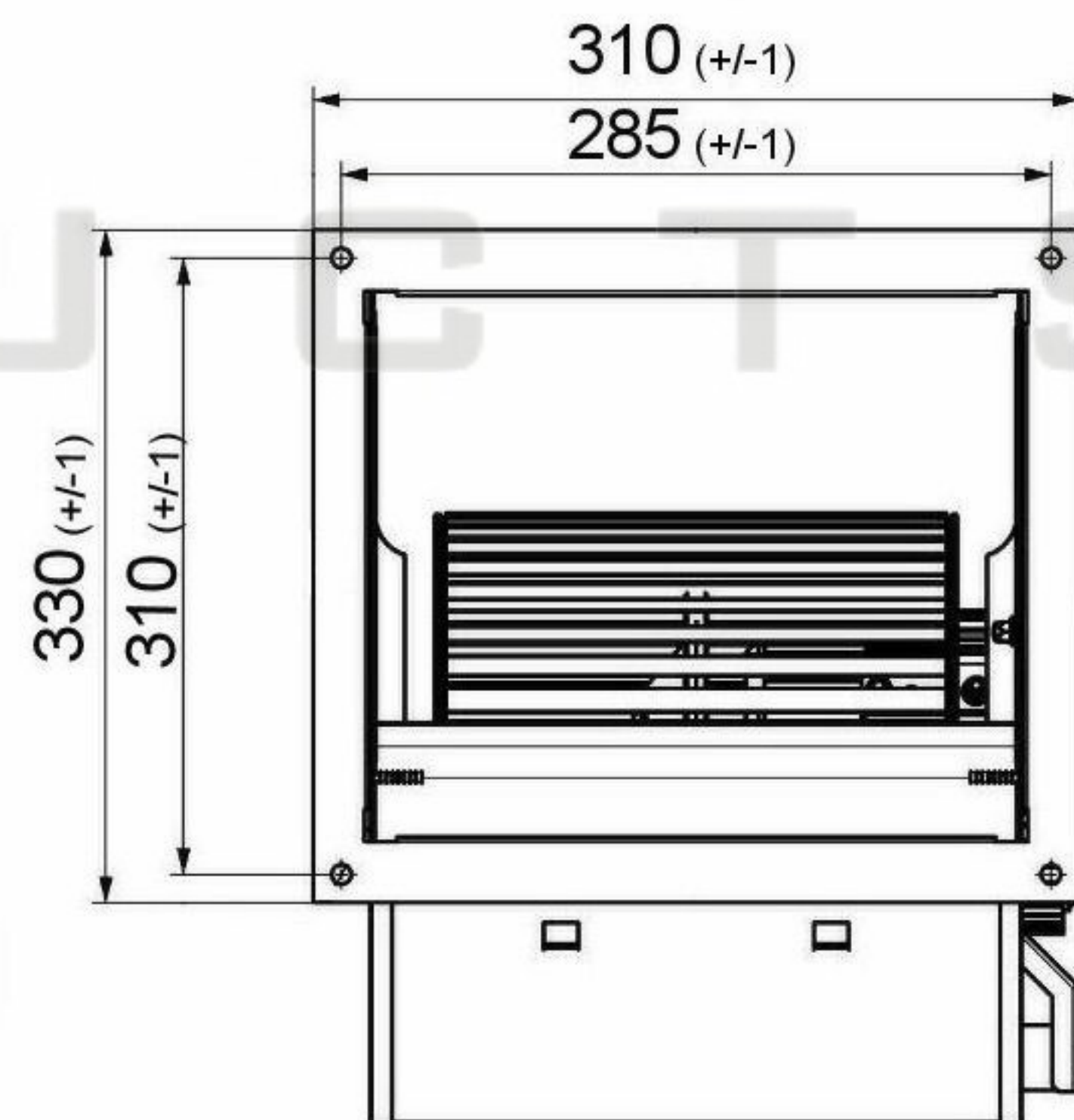


Accessories: DD10F (Mounting Feet)



Accessories: DDF10/8 (Flange)



Extruded shell motor depicted
Optional flange fitted

| SPECIFICATION | | | | | |
|------------------|---------|------------------|---------|-------------------|-------|
| Motor | PSC | Speed (RPM) | 1250 | Bearings | Ball |
| Voltage (V) | 230/240 | Motor Protection | Th.Prot | Weight (Kg) | 17.0 |
| Frequency (Hz) | 50/60 | Insulation Class | B | Air Volume (M³/h) | 3900 |
| Power In/Out (W) | 550 | Protection Class | IP42 | Noise Level (dBA) | |
| Current (A) | 3.8 | Capacitor (Mf) | 15.0 | Pressure (Pa) | 78.45 |

POLE STAR
PRODUCTS LIMITED

| | |
|----------------------------|-------------|
| POLE STAR PRODUCTS LIMITED | |
| Product Code | |
| DD10/8-F550/1V-1 | |
| Projection Angle | A4 |
| ± 3° | Scale: |
| | Sheet: 1 of |