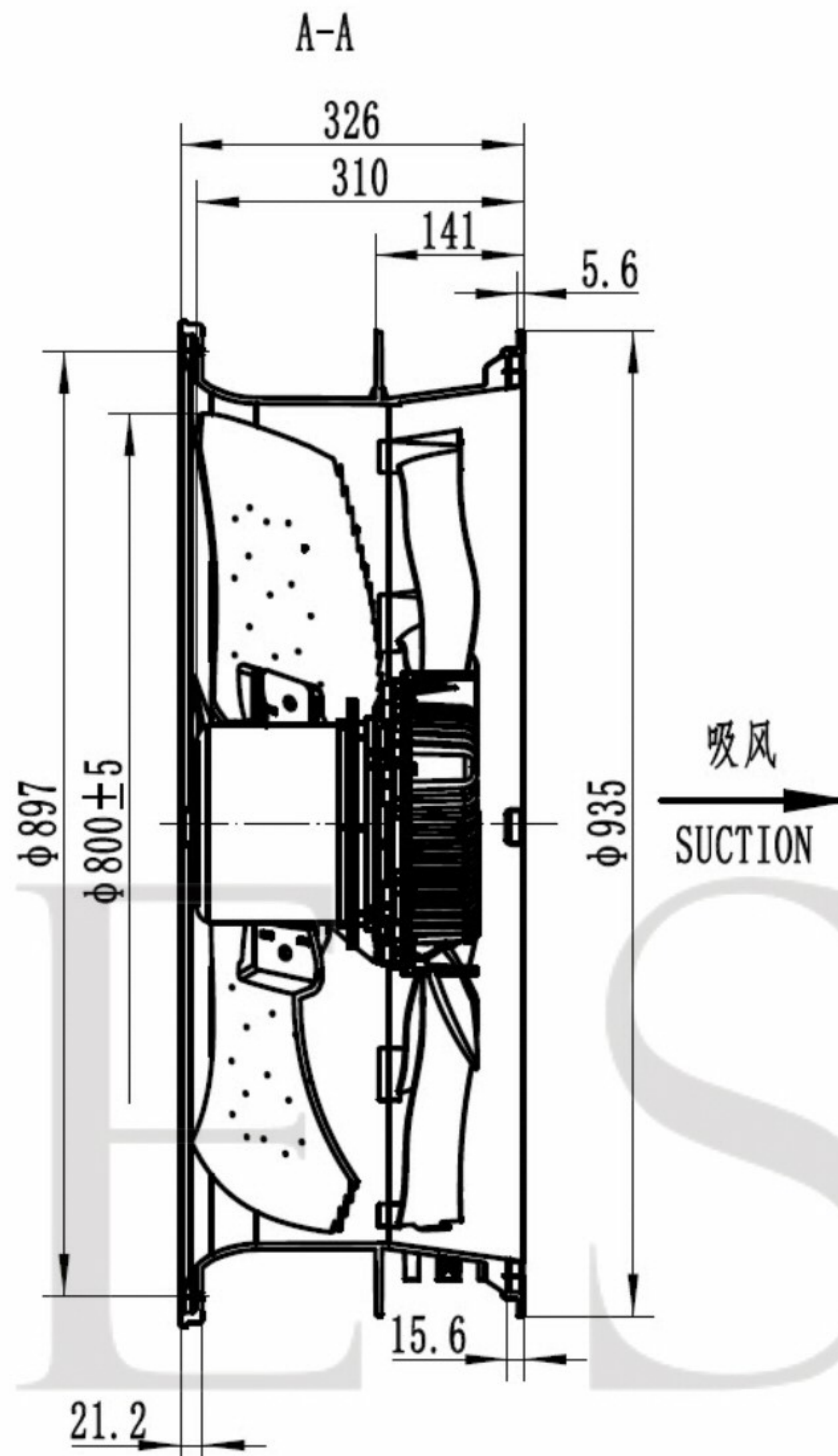
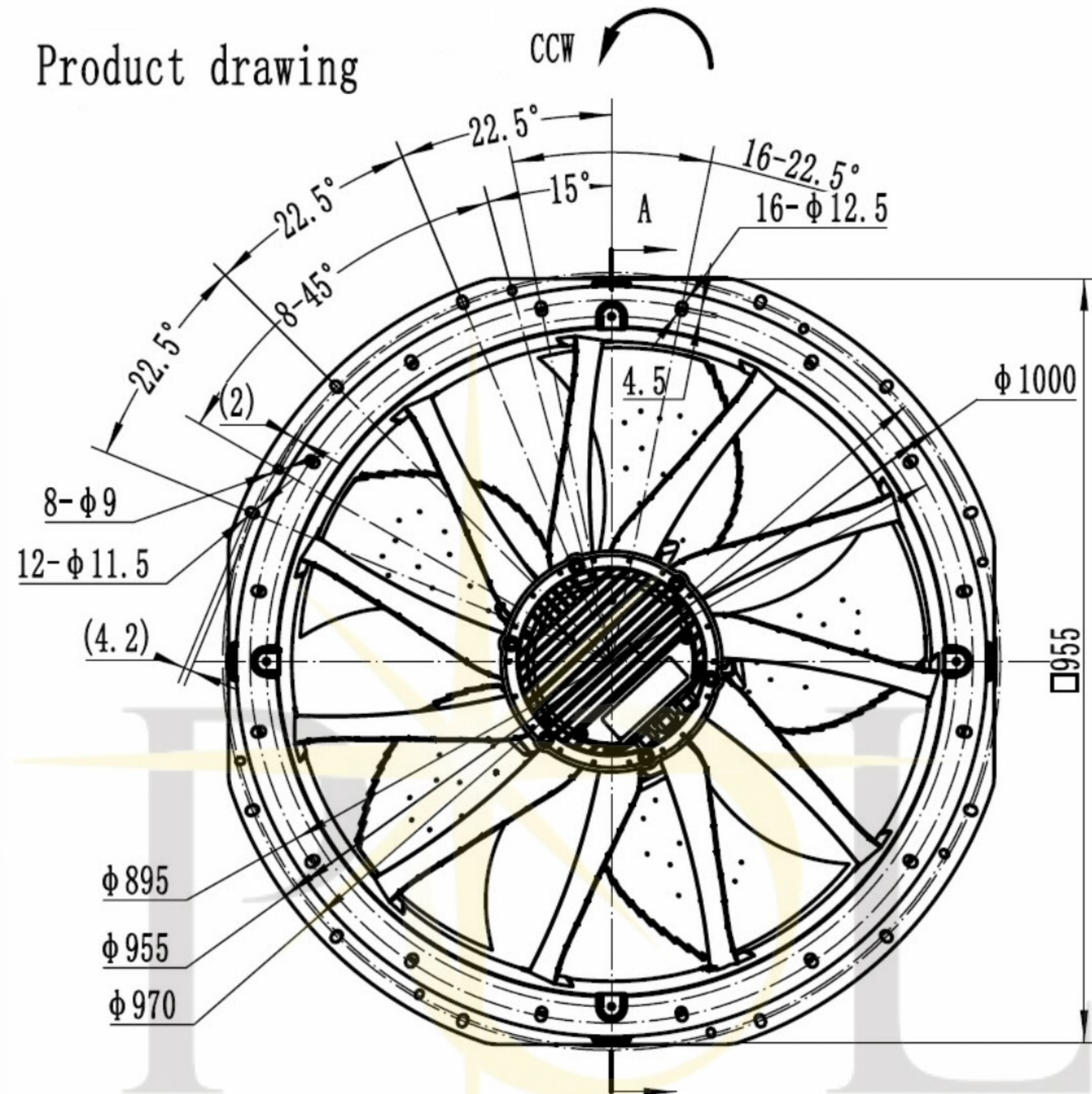
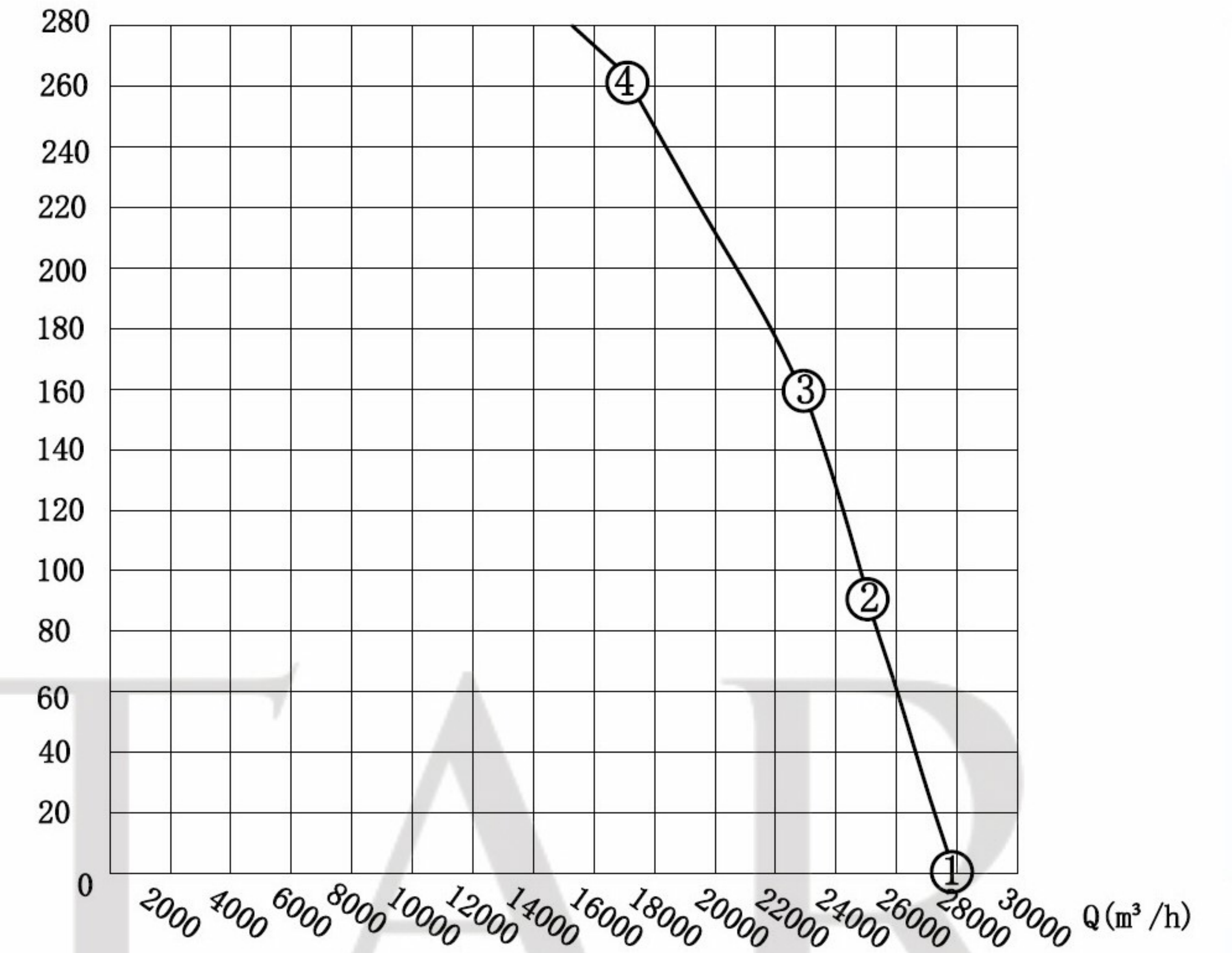


Product drawing



Psf (Pa) Performance curve



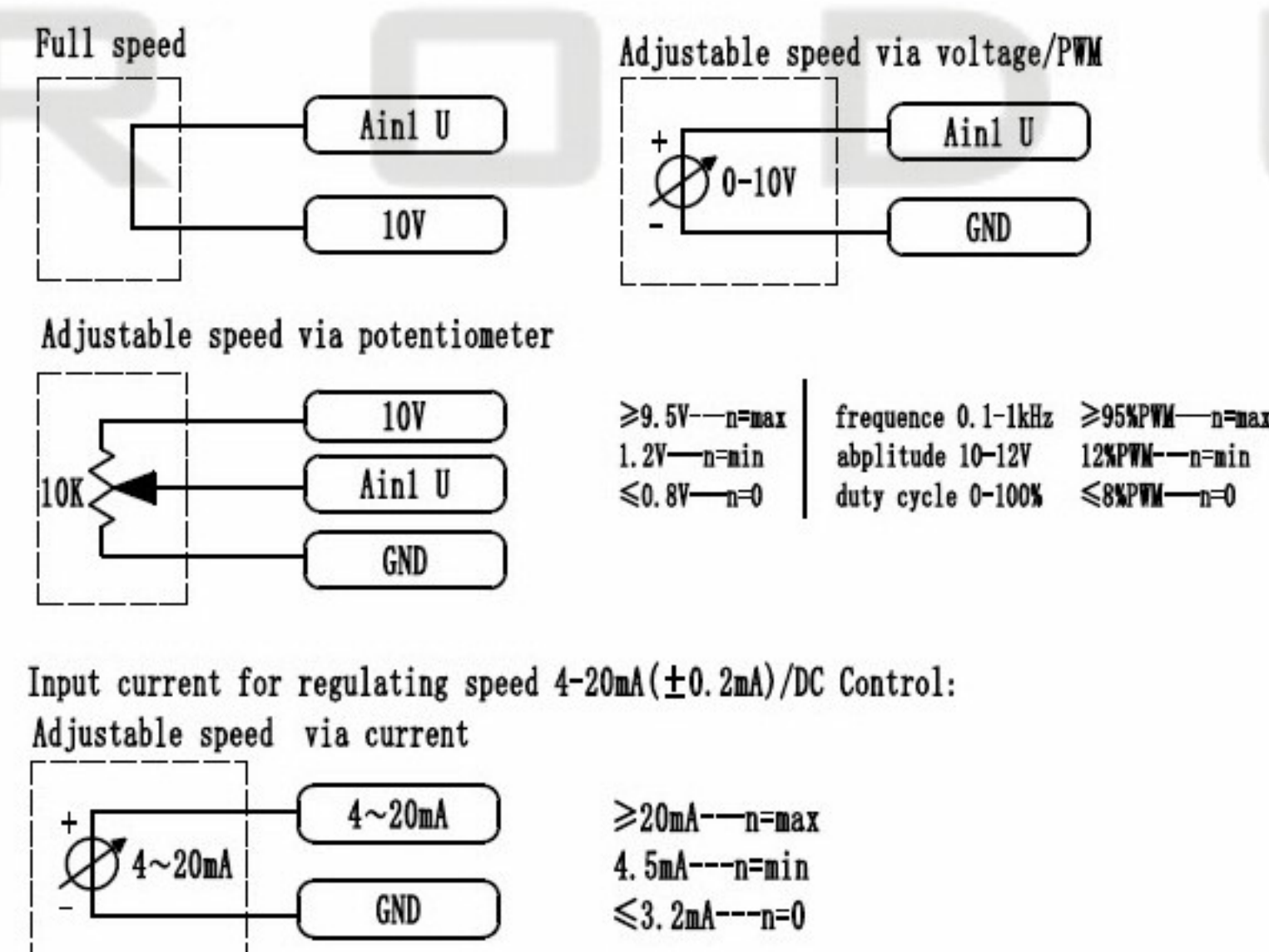
standard atmospheric pressure of 20 ° C.

Measured values

	Pfs (Pa)	Current input (A)	Current input (W)	Speed (r/min)	Air flow (m³/h)	Note
①	0	3.17	1910	1100	27800	
②	93	3.52	2245	1100	25000	
③	160	3.87	2500	1100	23000	
④	263	4.15	2526	1100	17050	MAX. EFF

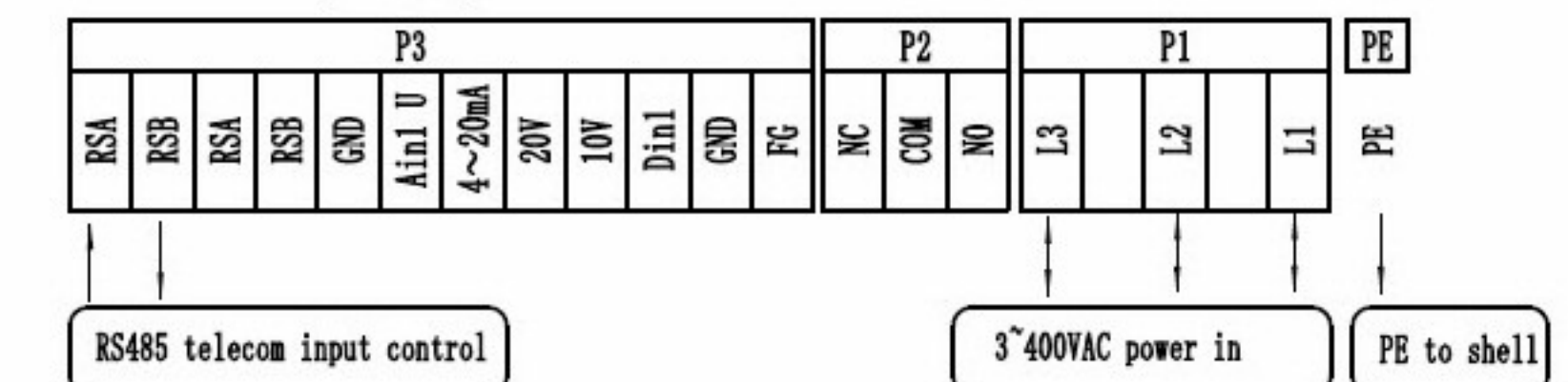
P3										P2			P1			PE	
RSA	RSA	RSA	RSA	GND	Ain1 U	20V	10V	Din1	GND	FC	NC	COM	NO	L3	L2	L1	PE

0-10VDC(±0.2V) PWM, PWM 0.1k-1kHz, 10-12V, 0%-100%(±2%)  
 Input voltage for regulating speed 0-10VDC(±0.2V) or PWM Control, PWM Frequency 0.1k-1kHz, amplitude 10-12V, duty cycle 0%-100%(±2%);



**POLE STAR PRODUCTS**  
**CA3-800S-EC**  
 UK CA 400V/50HZ, MAX: 1913W, 3.17A  
 1100RPM, CL.F, IP54  
 ERP2015 N=40(A Static) N=56.1  
 nTarget 36.2% nActual 52.28%  
 2526W, 4.15A, 17050m3/hr, 263Pa  
 www.psp.uk.com 07/23  
 PO703593 PMSWF150L85

Through RS485 communication and using MODBUS protocol, one host computer can control multiple fans at the same time; the host computer can control the start and stop of the fans and set the fan speed; at the same time, the fan feedbacks status information to the host computer; speed or fault status.



SPECIFICATION					
Motor	EC	Speed (RPM)	1100	Bearings	Ball
Voltage (V)	400	Motor Protection	Th.Prot	Weight (Kg)	
Frequency (Hz)	50/60	Insulation Class	F	Noise dB(A)	78
Power In/Out (W)	2100	Protection Class	IP54		
Current (A)	3.45				

**POLE STAR**  
 PRODUCTS LIMITED

POLE STAR PRODUCTS LIMITED	
Product Code	<b>CAEC3-800S-1</b>
Projection Angle	± 3°
Scale:	A4
Sheet:	1 of