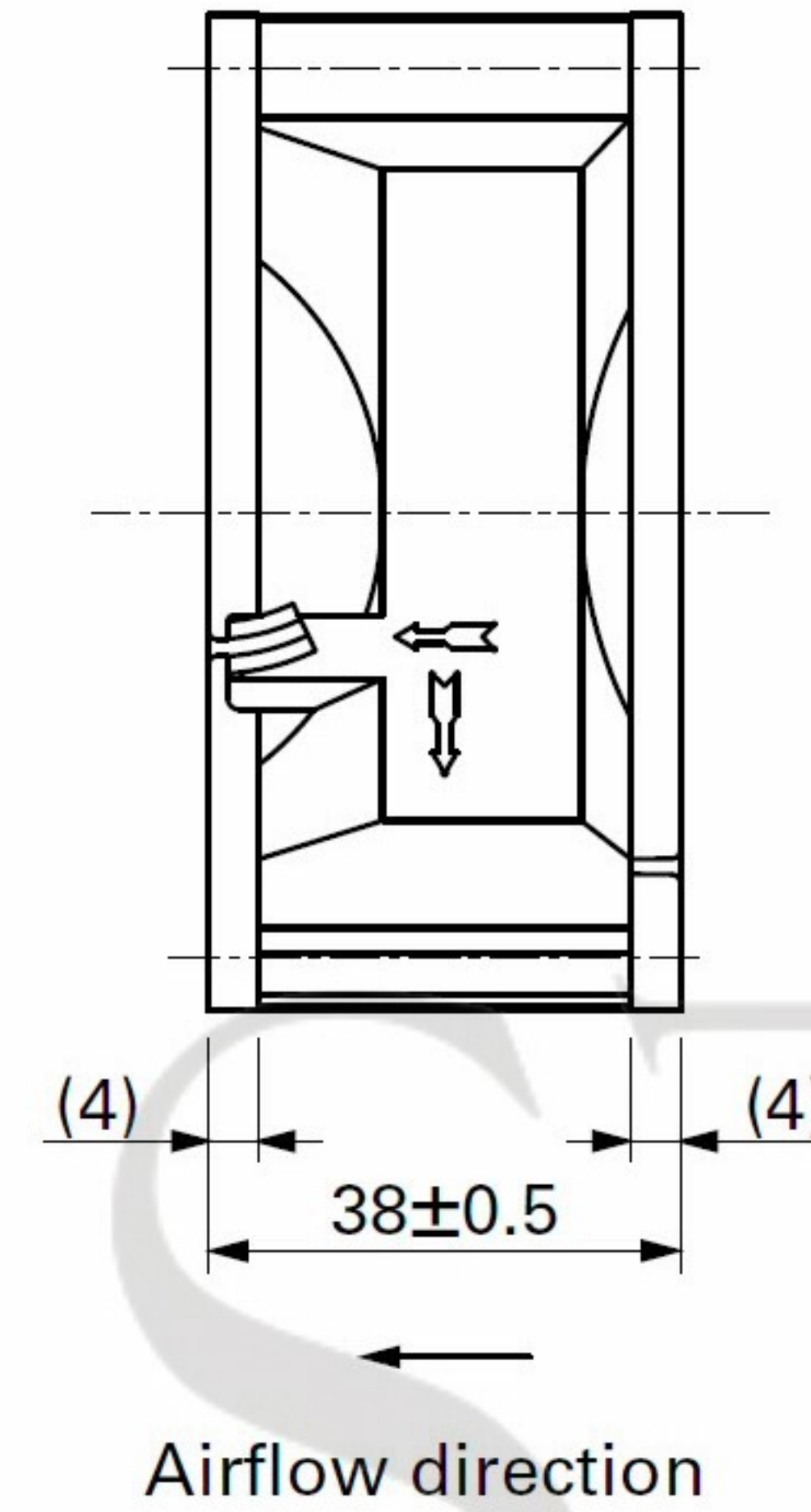


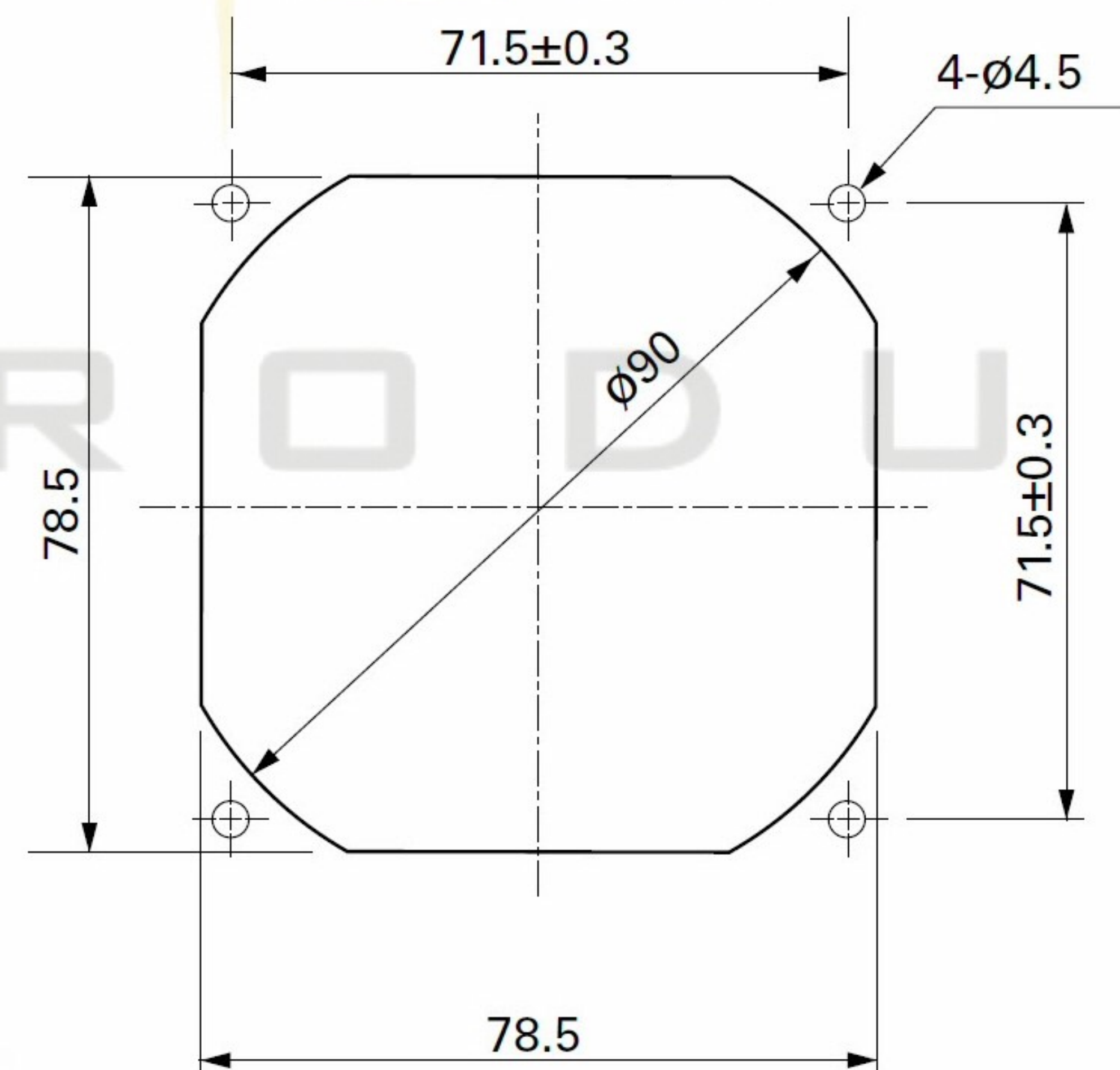
Lead wire
AWG24
UL 1007
+30
300 0
(10)

Red - Pos (+)
Black - Neg (-)
Yellow - Signal (Fg)



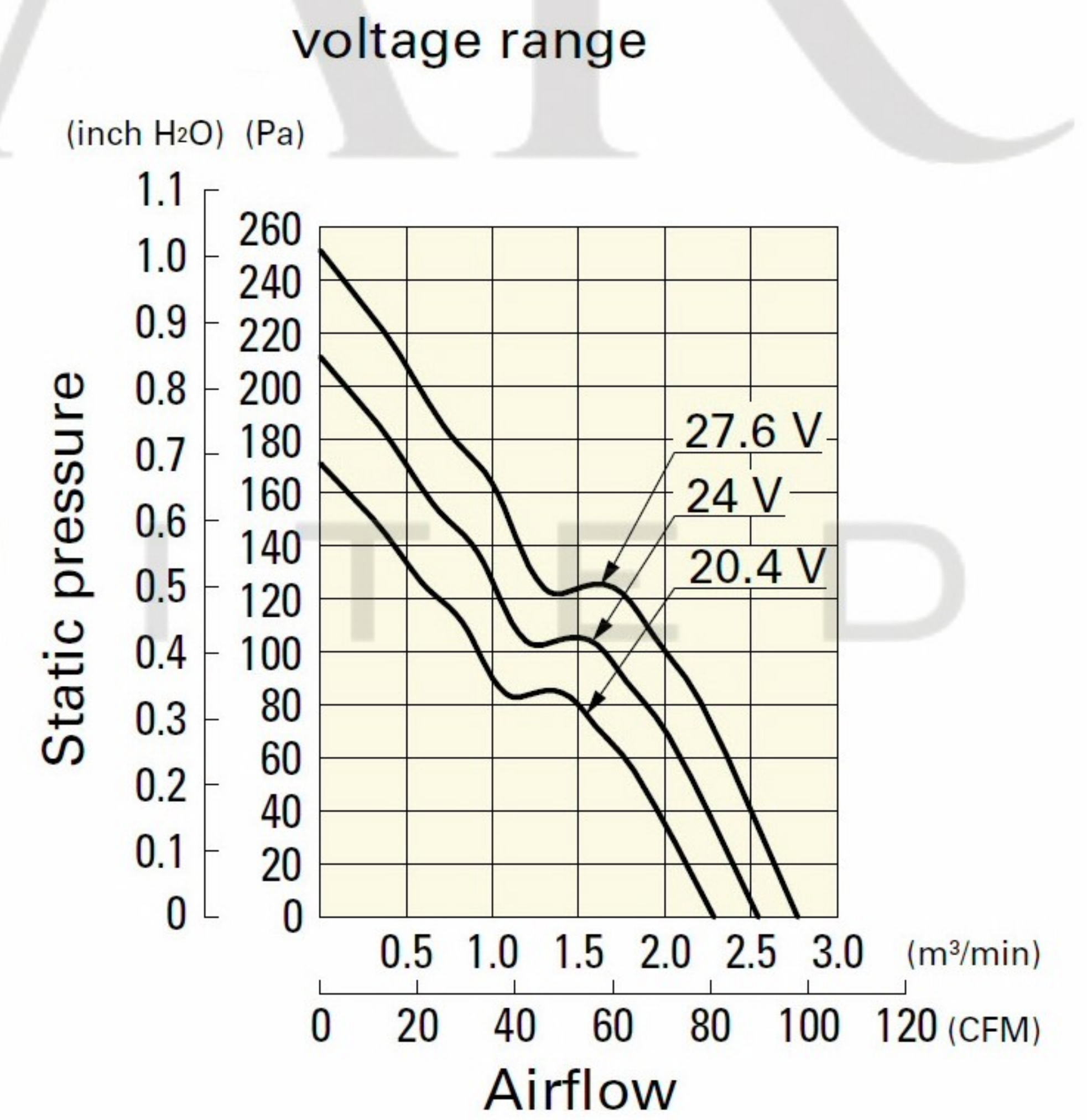
Rotating direction

Inlet side, Outlet side



General Specifications

- Material Frame: Plastic (Flammability: UL 94V-0), Impeller: Plastic (Flammability: UL 94V-0)
- Expected life See the table below. (L10 life: 90% survival rate for continuous operation in free air at 60°C, rated voltage)
- Motor protection function Locked rotor burnout protection, Reverse polarity protection
For details, please refer to p. 529.
- Dielectric strength 50/60 Hz, 500 VAC, for 1 minute (between lead wire conductors and frame)
- Insulation resistance 10 MΩ or more with a 500 VDC megger (between lead wire conductors and frame)
- Sound pressure level (SPL) At 1 m away from the air inlet
- Storage temperature -30 to +70°C (Non-condensing)



SPECIFICATION					
Motor	DC	Speed (RPM)	5700	Bearings	Ball
Voltage (V)	24	Max Airflow(CFM)	80	Weight (Kg)	0.17
		Max Sta Press(Pa)	171	Noise dB(A)	49
Power In/Out (W)	10.1	Operating Voltage	20.4-27.6	Ambient °C	-20 - +70
Current (A)	0.42				

POLE STAR
PRODUCTS LIMITED

POLE STAR PRODUCTS LIMITED	
Product Code	PS0838BL-6-2
Projection Angle	± 3°
Scale:	A4
Sheet:	1 of 1