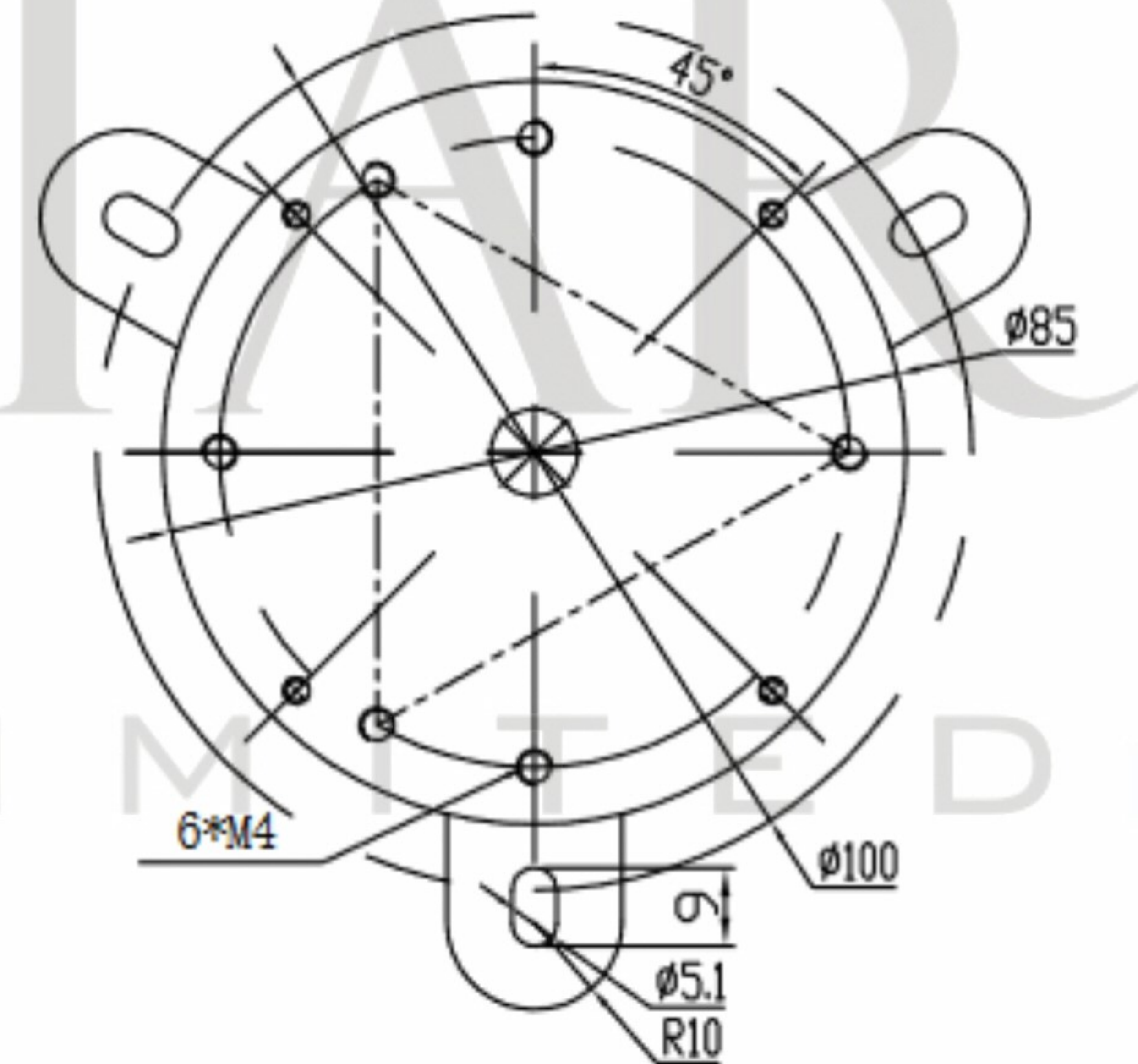
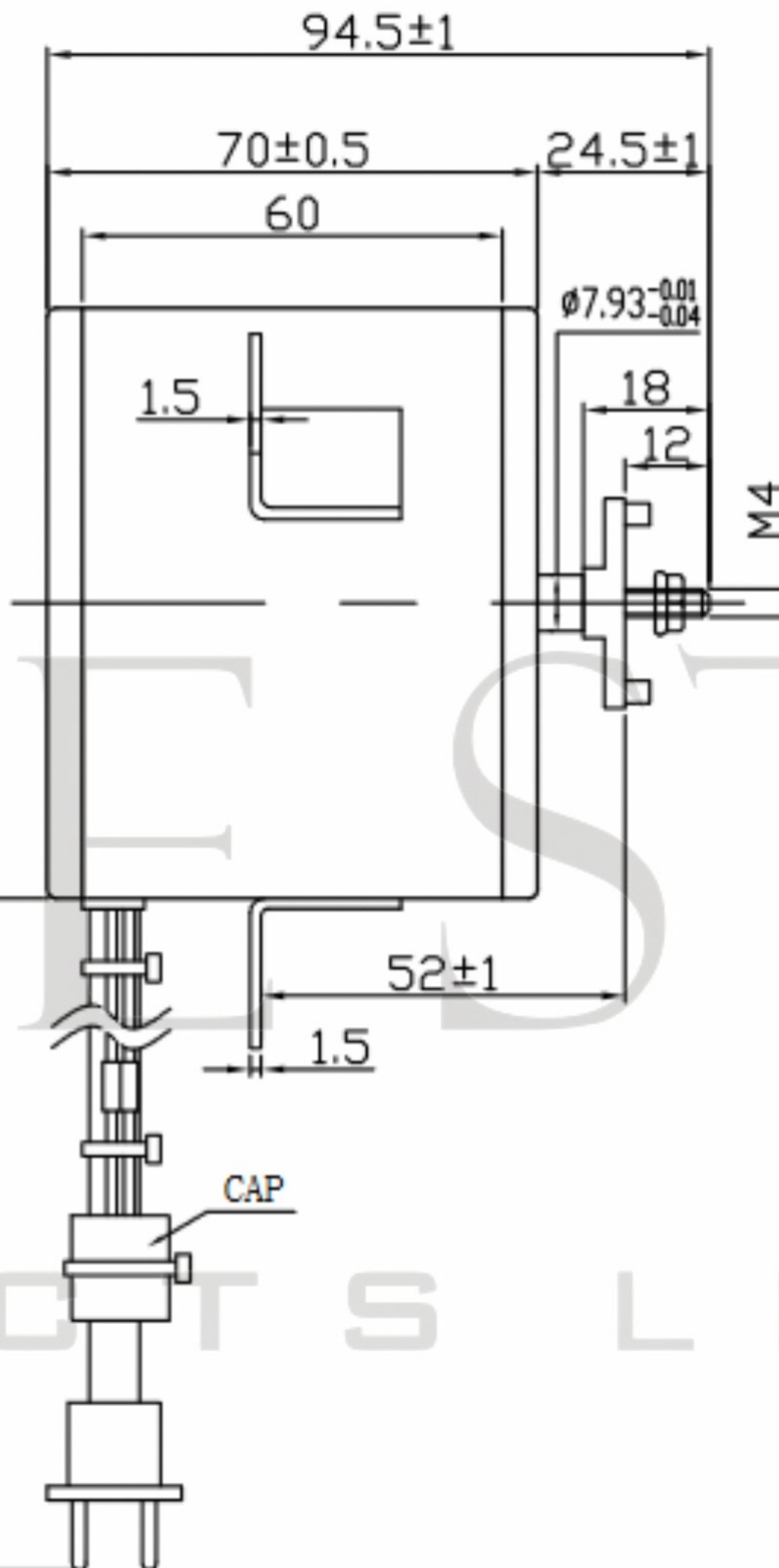
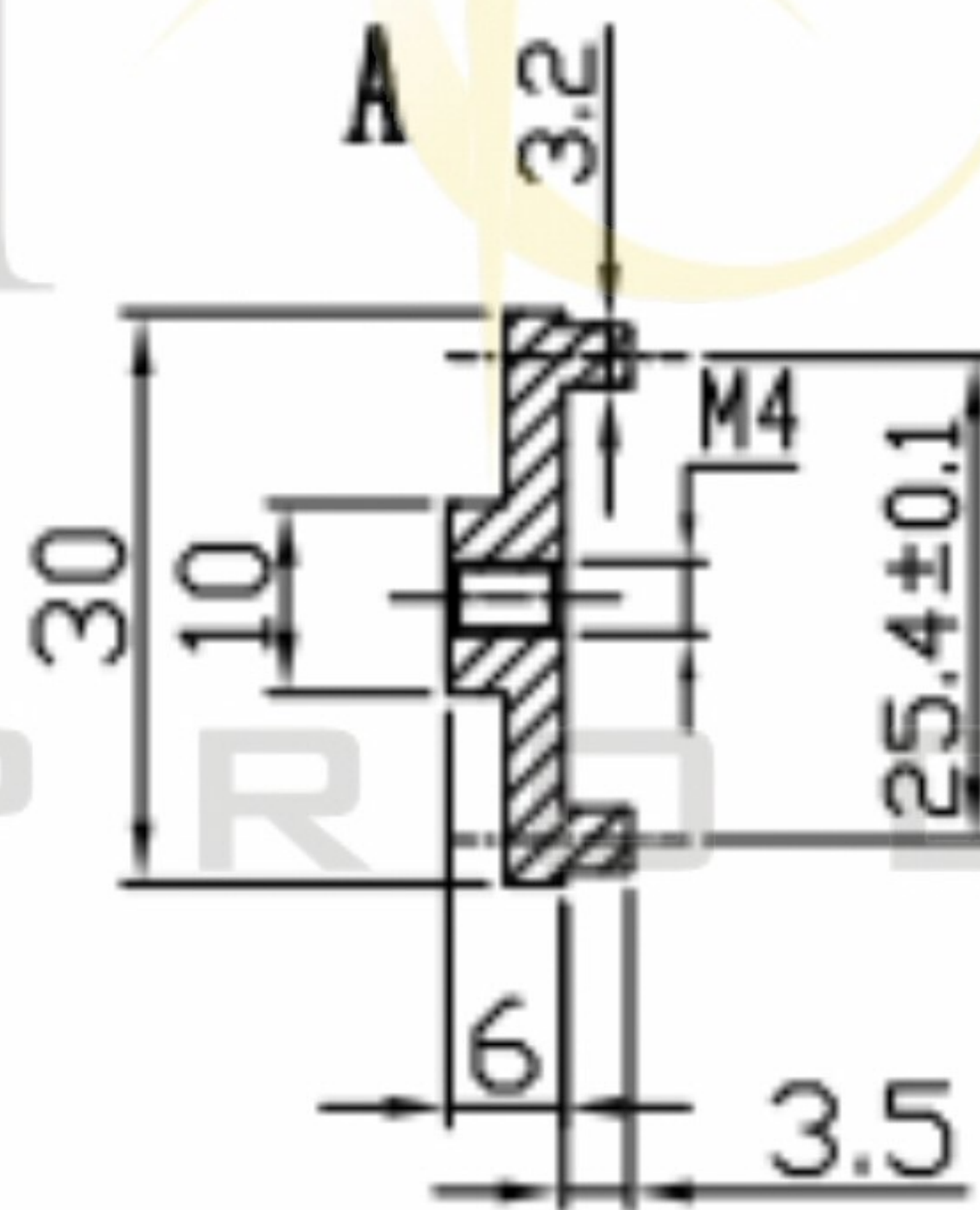


"Looking from shaft end"



SPECIFICATION					
Motor	SP	Speed (RPM)	1250	Bearings	Ball
Voltage (V)	230	Motor Protection		Weight (Kg)	1
Frequency (Hz)	50	Insulation Class	B	Noise dB(A)	
Power In/Out (W)	19	Protection Class	IP44	Rotation	ACW
Current (A)	0.16	Capacitor (MF)	2		

POLE STAR
PRODUCTS LIMITED

POLE STAR PRODUCTS LIMITED	
Product Code	33FSUNI-PL-4
Projection Angle	± 3°
	A4
	Scale: Sheet: 1 of