

POLE STAR PRODUCTS LIMITED

Mounting Options



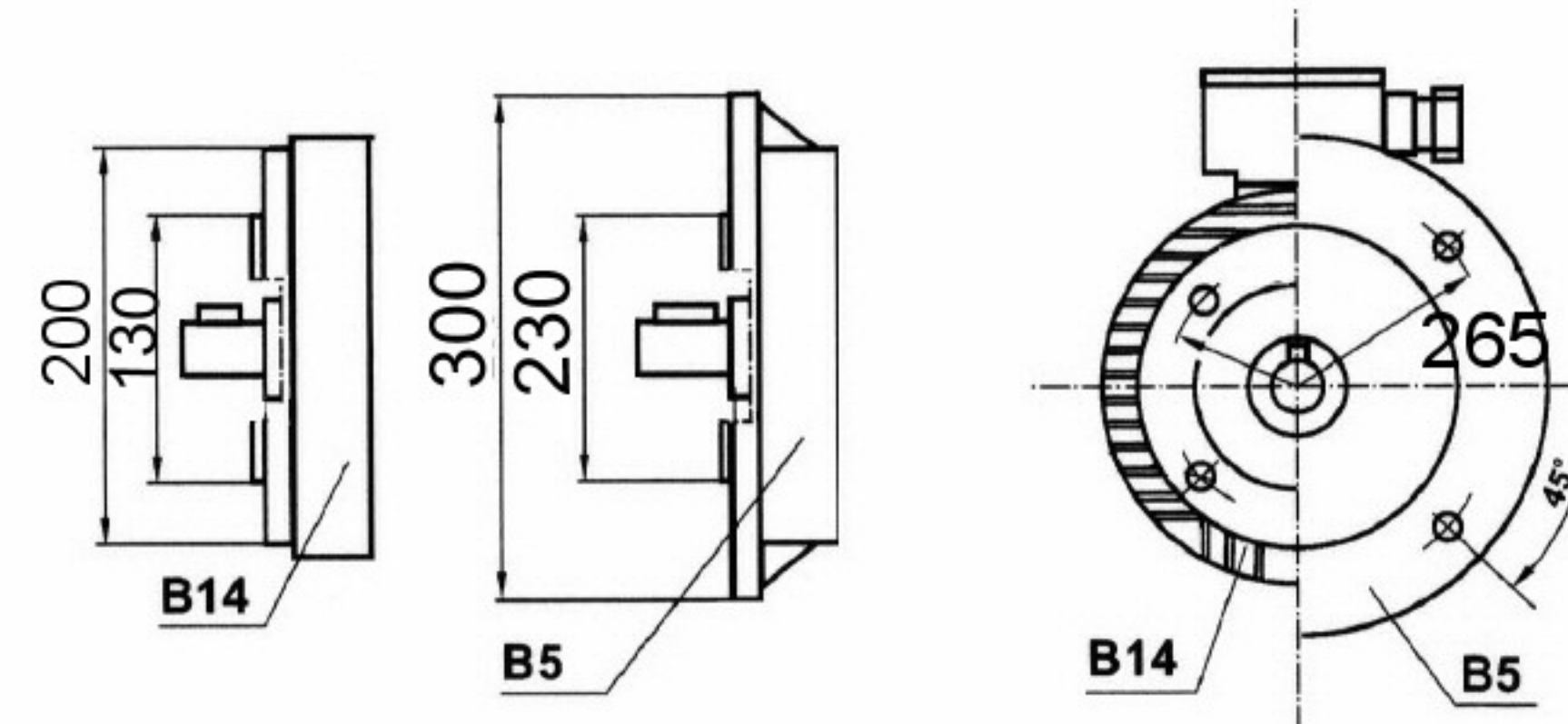
B3



B5



B14



Efficiency class	IE2
Load data	100%
Efficiency	88.7 %
Power factor	0.84
Sound pressure level (1m)	61 dB(A)
Resistance R20 (open)	
Resistance R20 (Delta)	

SPECIFICATION					
Motor	IE	Speed (RPM)	1455	Bearings	Ball
Voltage (V)	400/690	Motor Protection	Th.Prot	Weight (Kg)	64
Frequency (Hz)	50/60	Insulation Class	F	Junction box	Yes
Power In/Out (Kw)	7.5	Protection Class	IP55	Aluminium Body	Yes
Current (A)	14.5/8.37	Fan Cooled	Yes	Temp. rise	B

**POLE STAR**  
PRODUCTS LIMITED

POLE STAR PRODUCTS LIMITED	
Product Code	<b>132-FM7500T-B3</b>
Projection	A4
Angle	Scale:
± 3°	Sheet: 1 of