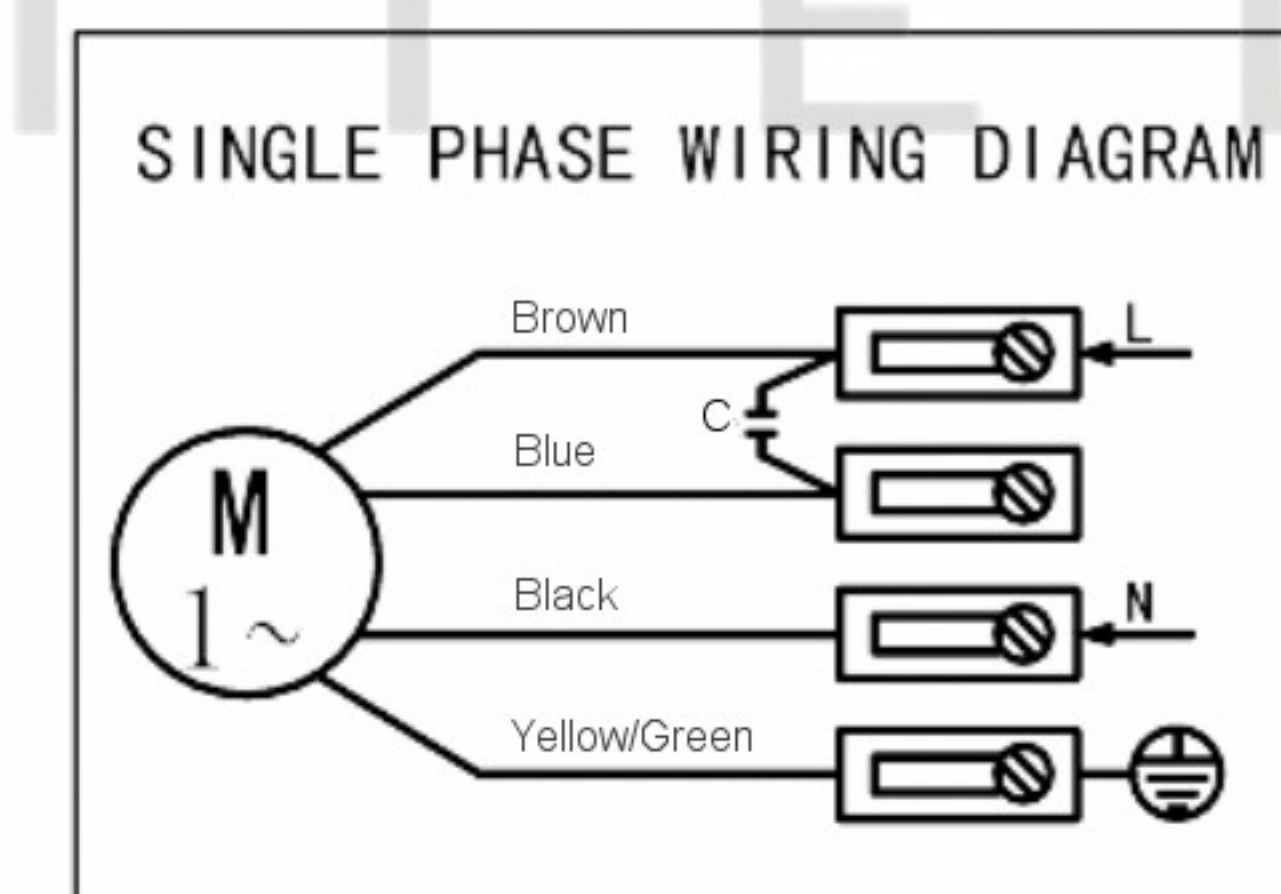


Pole Star Products CB250.315-1  
 220V 50Hz 5.3A 1000W CE  
 1390r/min 22 μF/450V 3500m3/h

diagram:



DYF4E-250C-QS2a

Permissible ambient temperature: -25 ~ +60°C

Approvals: CE, RoHS, ISO 9001

SPECIFICATION					
Motor	PSC	Speed (RPM)	1390	Bearings	Ball
Voltage (V)	220	Motor Protection	Th.Prot.	Weight (Kg)	22
Frequency (Hz)	50	Insulation Class	B	Noise dB(A)	73
Power In/Out (W)	1000	Protection Class	IP54		
Current (A)	5.3	Capacitor (MF)	22		

**POLE STAR**  
 PRODUCTS LIMITED

POLE STAR PRODUCTS LIMITED	
Product Code	<b>CB250.315-1</b>
Projection Angle	± 3°
	A4
	Scale: Sheet: 1 of