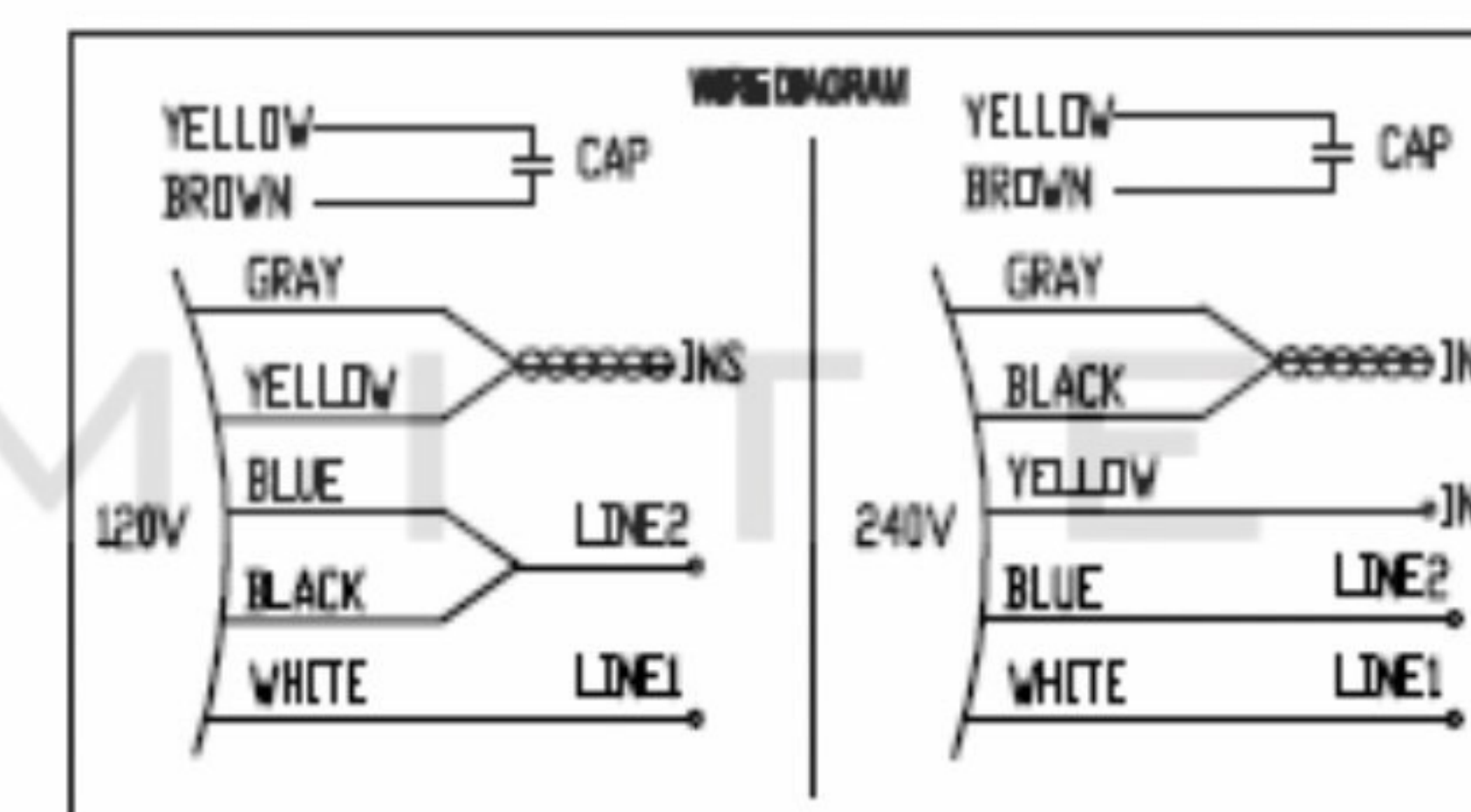
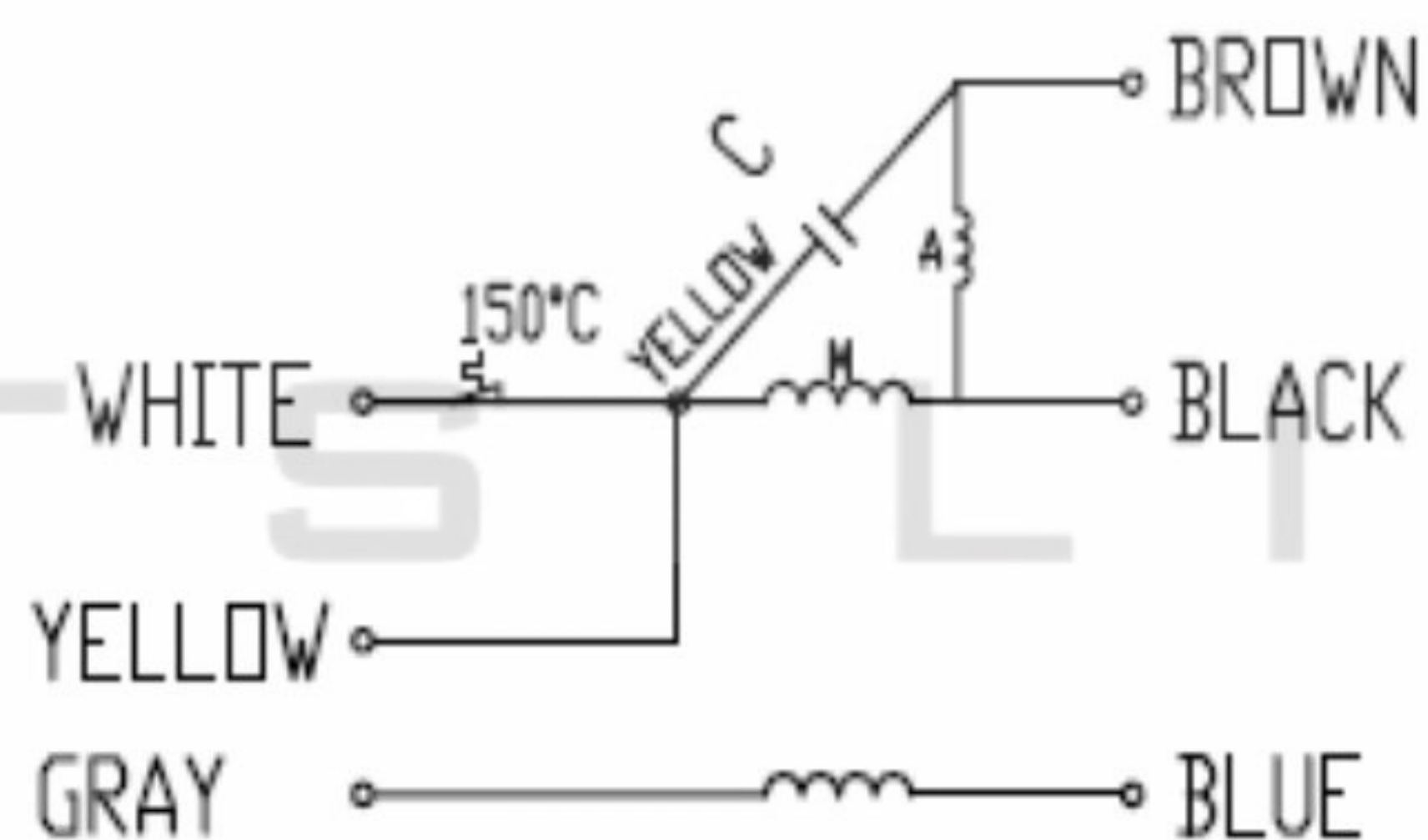
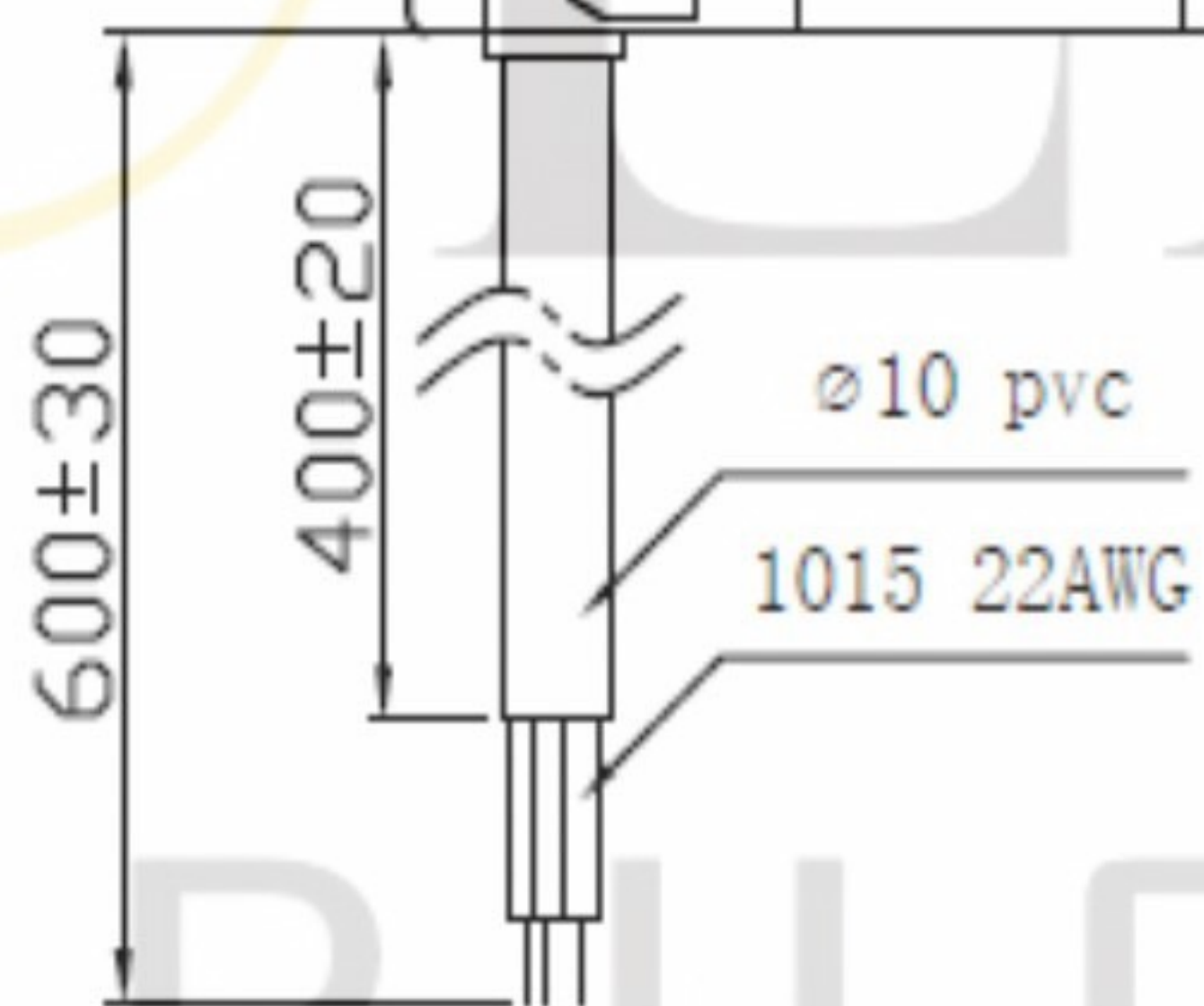
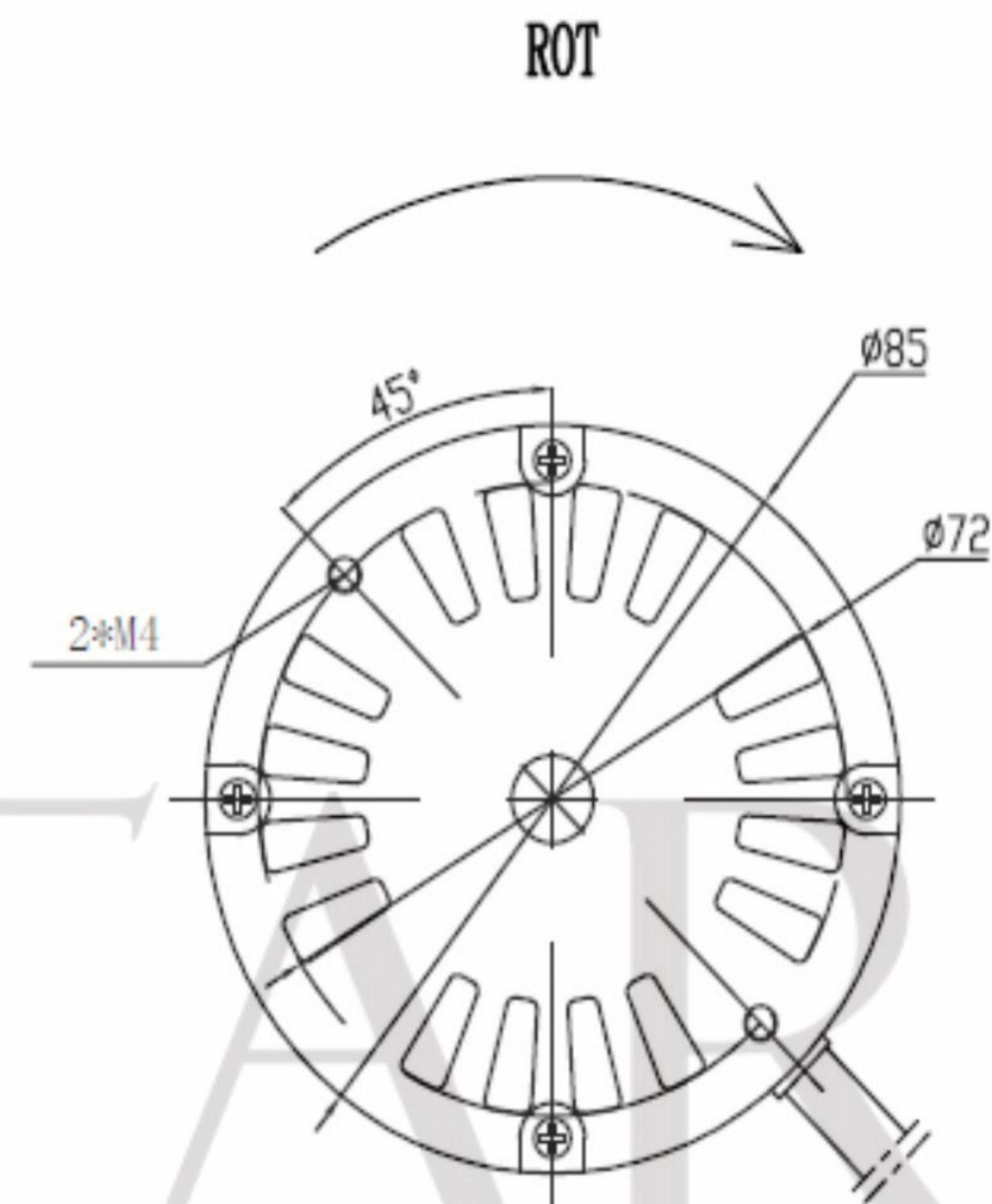


压定子: 20  
压轴: 114



Rotation-CWLE

SPECIFICATION					
Motor	PSC	Speed (RPM)	2500	Bearings	Ball
Voltage (V)	110/230	Motor Protection		Weight (Kg)	
Frequency (Hz)	50/60	Insulation Class	F	Noise dB(A)	
Power In/Out (W)	35W	Protection Class			
Current (A)	0.7/0.3	Capacitor (MF)	4		

**POLE STAR**  
PRODUCTS LIMITED

POLE STAR PRODUCTS LIMITED	
Product Code	<b>33TB35-DV-1</b>
Projection Angle	± 3°
Scale:	A4
Sheet: 1 of	