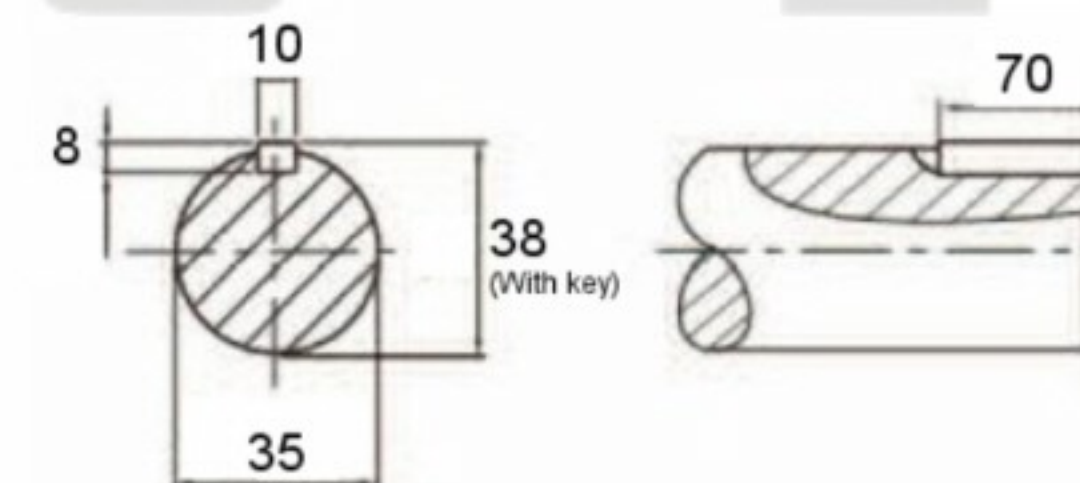
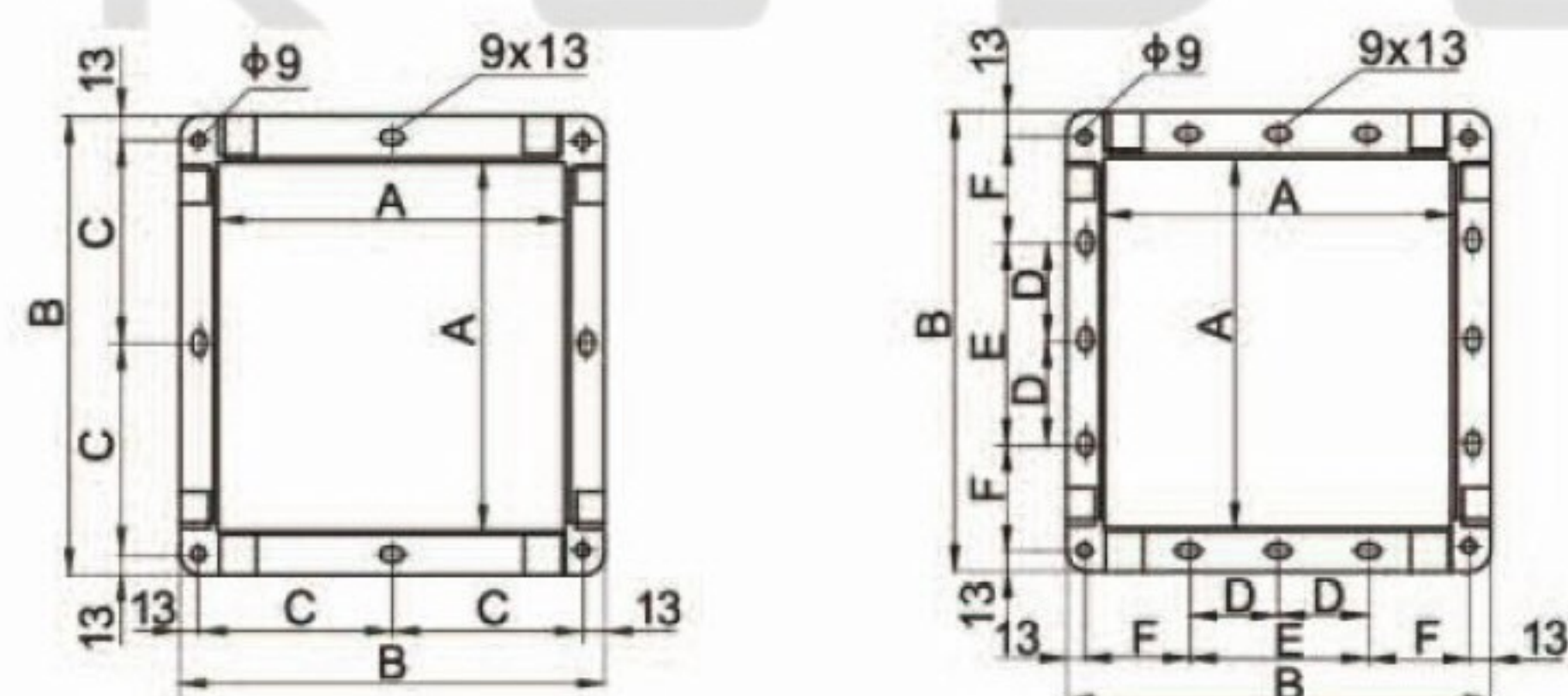


OPTIONAL FLANGE



Performance shown is for installation type B, free inlet, duct outlet, and doesn't include the effects of appurtenances in the airstream. Power rating kW doesn't includedrive losses. 以上性能曲线是按方式B测试所得, 即自由进气, 管道出气, 所测数据不包括气体流道上附件产生的影响。功率不包;包括驱动损失。

型号Typ	280	315	355	400	450	500	560	630	710	800	900	1000
A	361	404	453	507	569	638	715	801	898	1007	1130	1267
B	417	460	509	563	625	694	771	857	954	1063	1186	1323
C	195.5	217	241.5	-	-	-	-	-	-	-	-	-
D	-	-	-	-	-	-	-	200	250	300	350	
E	-	-	-	200	200	250	250	300	400	500	600	700
F	-	-	-	168.5	199.5	209	247.5	265.5	264	268.5	280	298.5

POLE STAR
PRODUCTS LIMITED

POLE STAR PRODUCTS LIMITED	
Product Code	DTA.BPI.400
Projection	A4
Angle	Scale:
± 3°	Sheet: 1 of