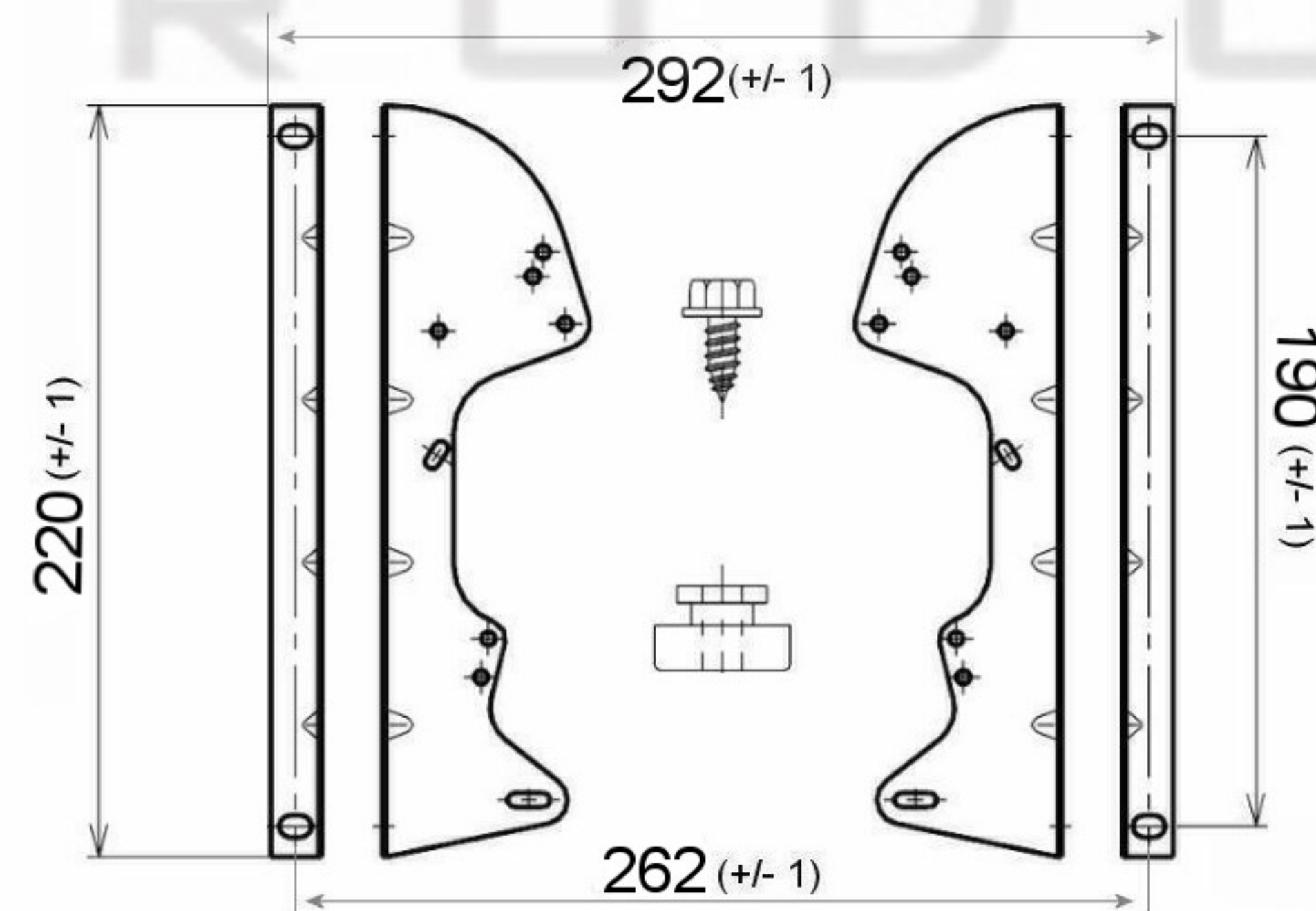


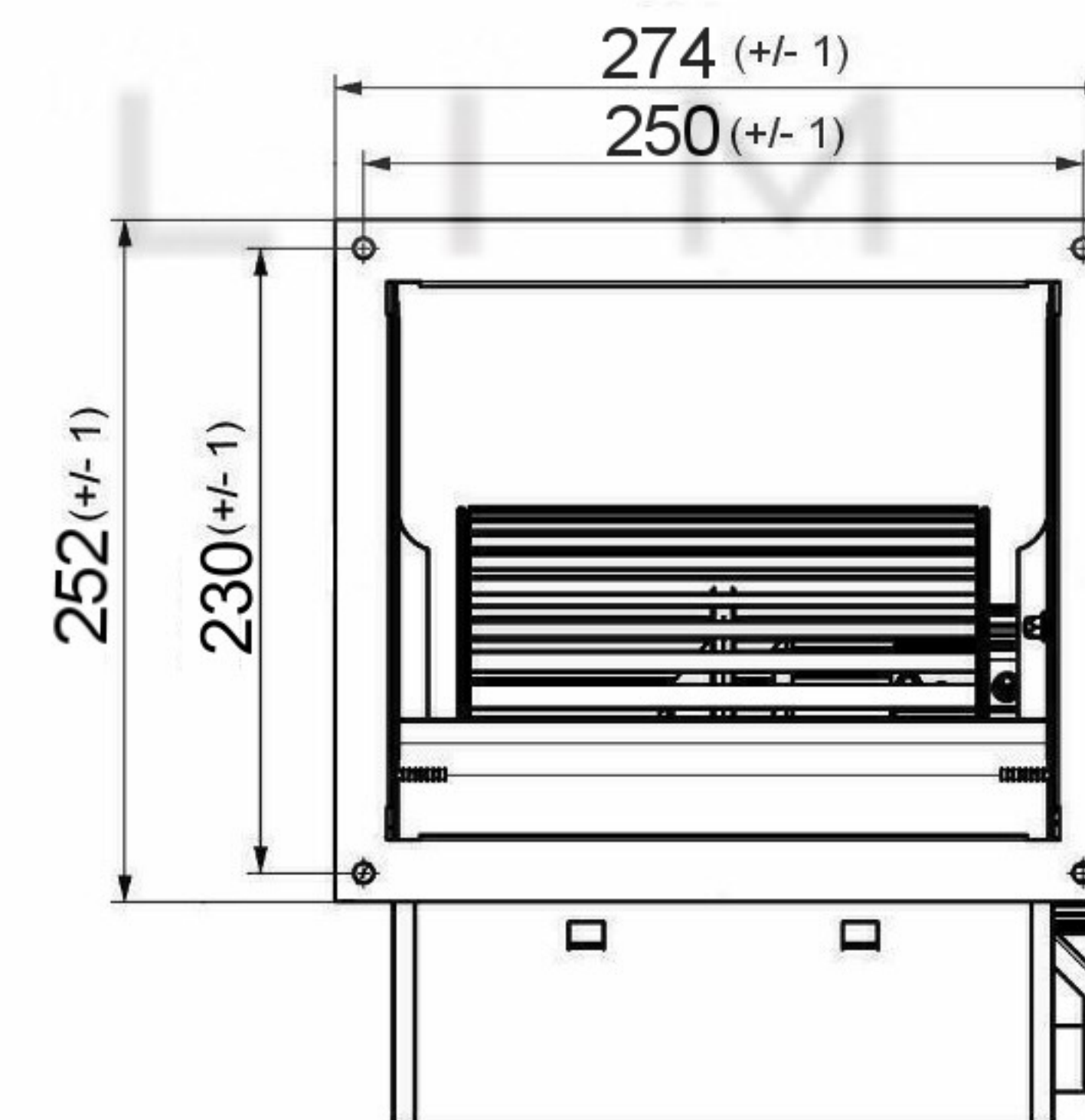
**Accessories - DD7F (Mounting Feet)**



**WIRING DETAILS**

- |       |              |   |                              |
|-------|--------------|---|------------------------------|
| MOTOR | Red          | ● | A/C Live                     |
|       | Black        | ● | A/C Neutral                  |
|       | Yellow/Green | ● | A/C Earth                    |
|       | Red          | ● | D/C 10v Out                  |
|       | Black        | ● | D/C Ground (-)               |
|       | Yellow       | ● | D/C 0-10v In (speed control) |
|       | Blue         | ● | D/C Signal (Pulses - 12/rpm) |

**Accessories - DDF7/7 (Flange)**



SPECIFICATION					
Motor	BLDC (EC)	Speed (RPM)	1250	Bearings	Ball
Voltage (V)	230/240	Motor Protection	Th.Prot	Weight (Kg)	
Frequency (Hz)	50/60	Insulation Class	B	Air Volume (M³/h)	
Power In/Out (W)	200	Protection Class	IP44	Noise Level (dBA)	
Current (A)	2.4			Pressure (Pa)	

**POLE STAR**  
PRODUCTS LIMITED

POLE STAR PRODUCTS LIMITED	
Product Code <b>DDEC1-7/7-200W-VSC</b>	
Projection Angle ± 3°	
	A4 Scale: Sheet: 1 of