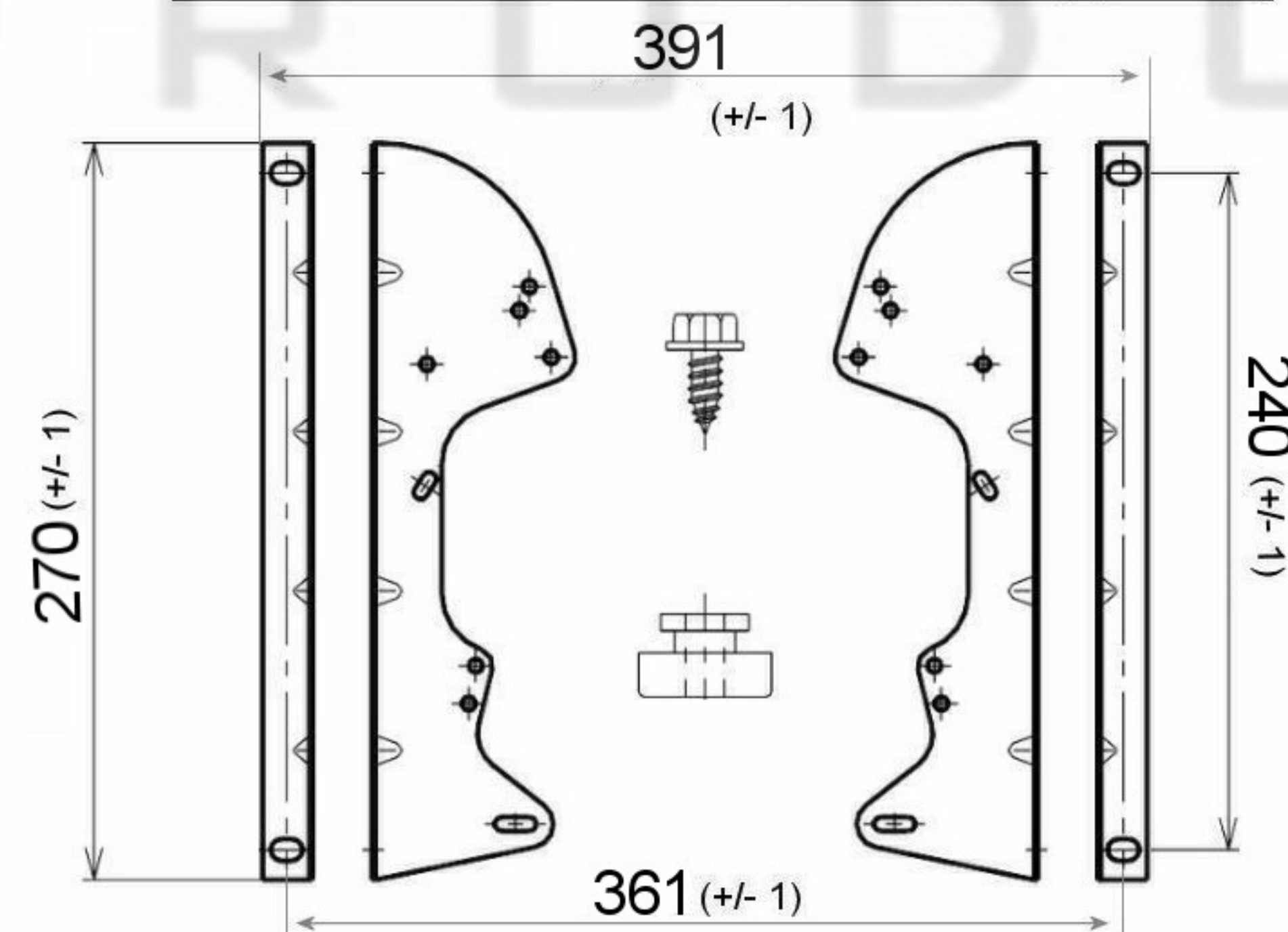
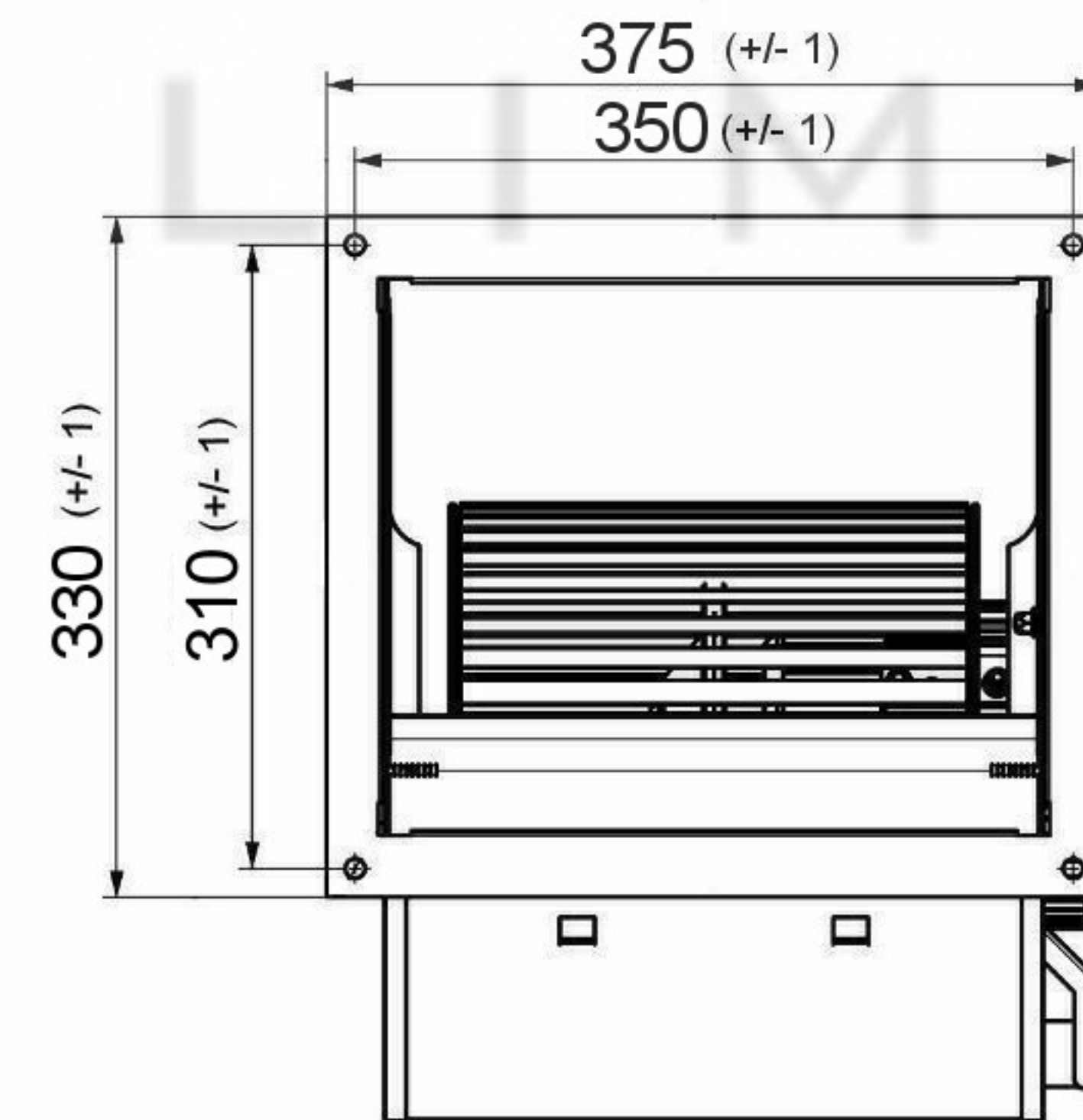
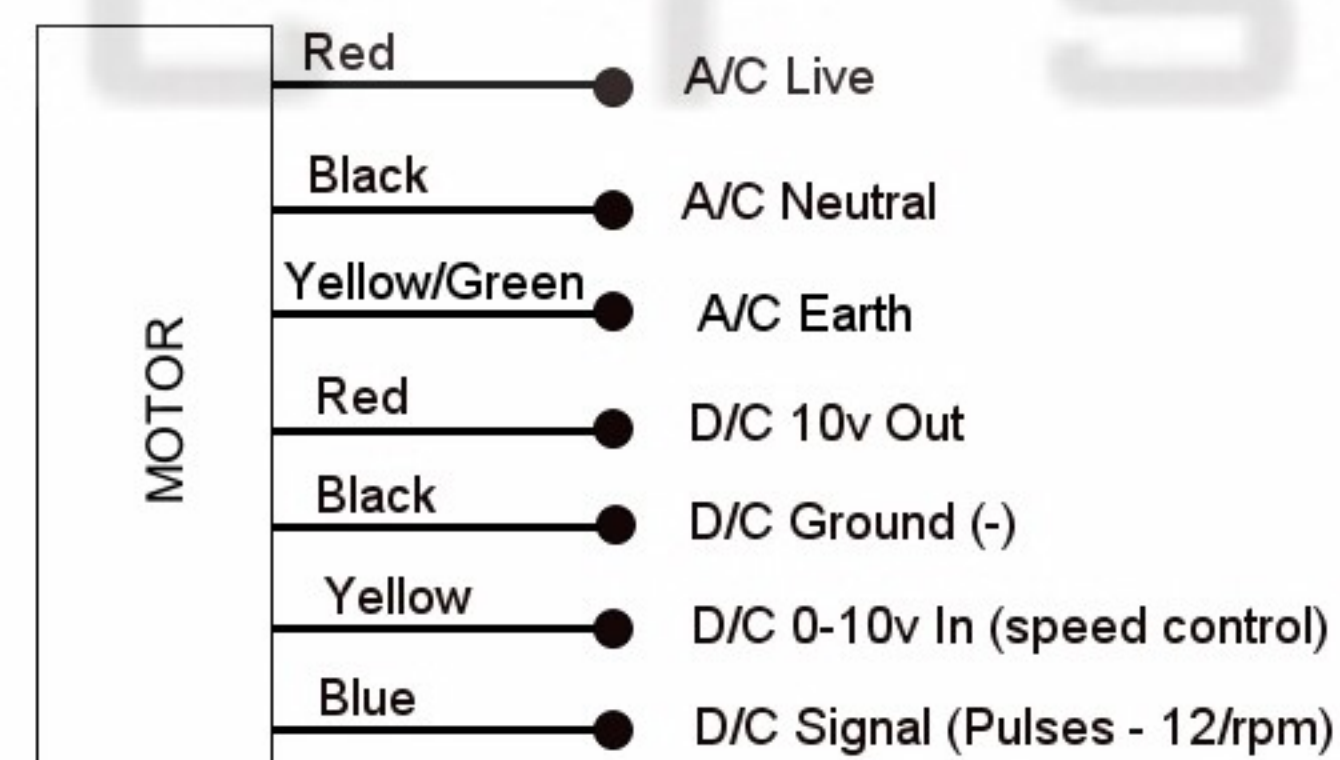


**Accessories -DDF10/10(Flange)**

**Accessories - DD10F (Mounting Feet)**

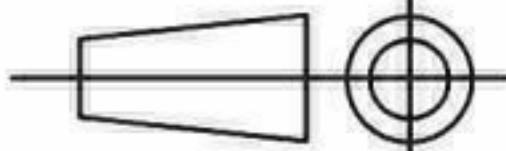


**WIRING DETAILS**



SPECIFICATION					
Motor	BLDC (EC)	Speed (RPM)	1250	Bearings	Ball
Voltage (V)	230/240	Motor Protection	Th.Prot	Weight (Kg)	
Frequency (Hz)	50/60	Insulation Class	B	Air Volume (M³/h)	
Power In/Out (W)	750	Protection Class	IP44	Noise Level (dBA)	
Current (A)	5.0			Pressure (Pa)	

**POLE STAR**  
PRODUCTS LIMITED

POLE STAR PRODUCTS LIMITED	
Product Code <b>DDEC1-10/10-750W-VSC</b>	
Projection Angle ± 3°	
	A4
	Scale: Sheet: 1 of