

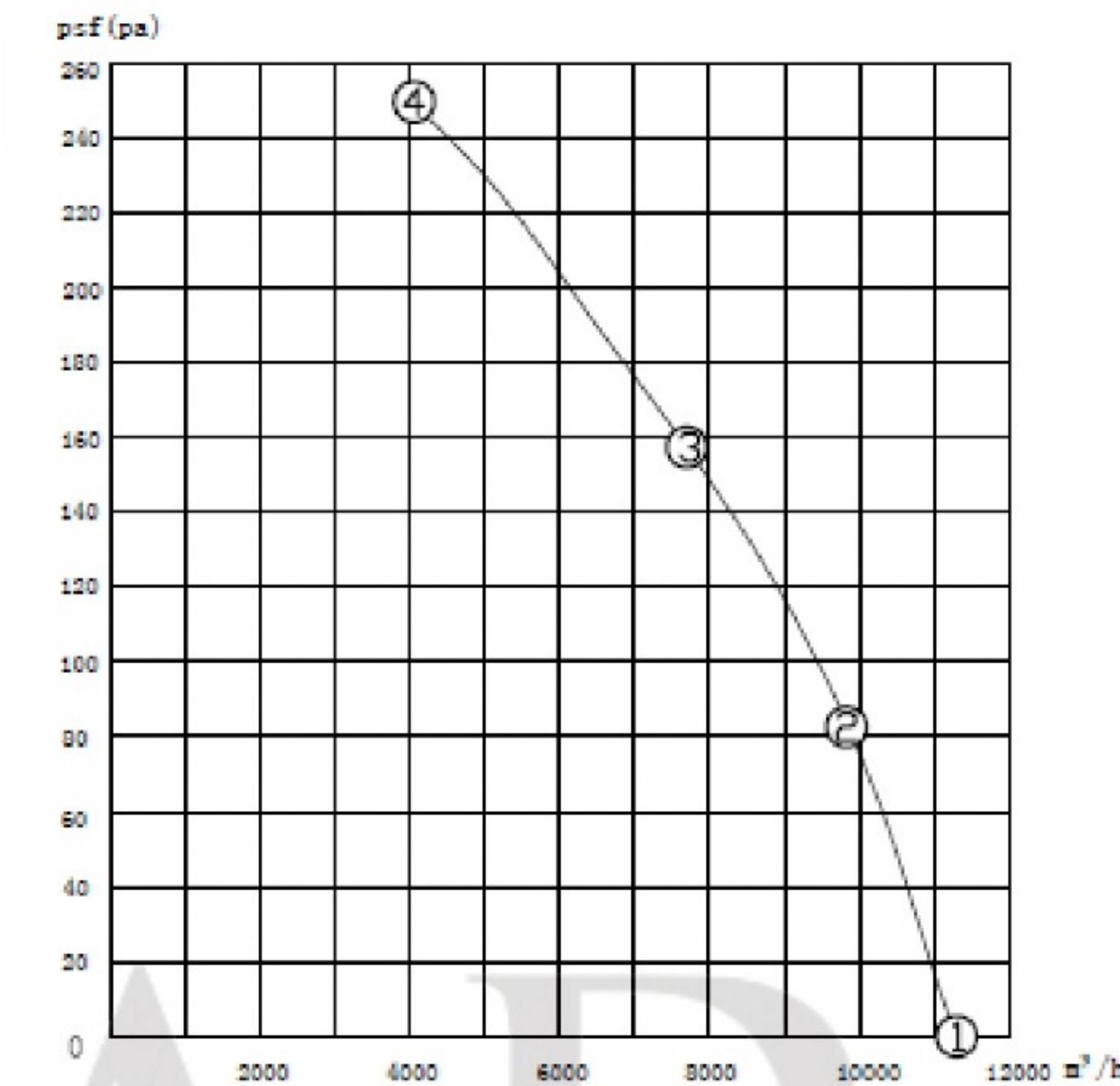
POLE STAR AXIAL FAN MOTOR
 PRODUCTS LIMITED

MODEL: GMA3-630B-3
 VOLTAGE: 400V/50HZ
 N. W/G. W. 16. 3/18. 9KG
 MEAS: 67. 5X67. 5X24
 CL. F WITH TERMINAL BOX

ErP 2015 (N=40)
 $\eta=35,84\%$ (A, static) N=42, 2

Nameplate:
POLE STAR
 PRODUCTS LIMITED

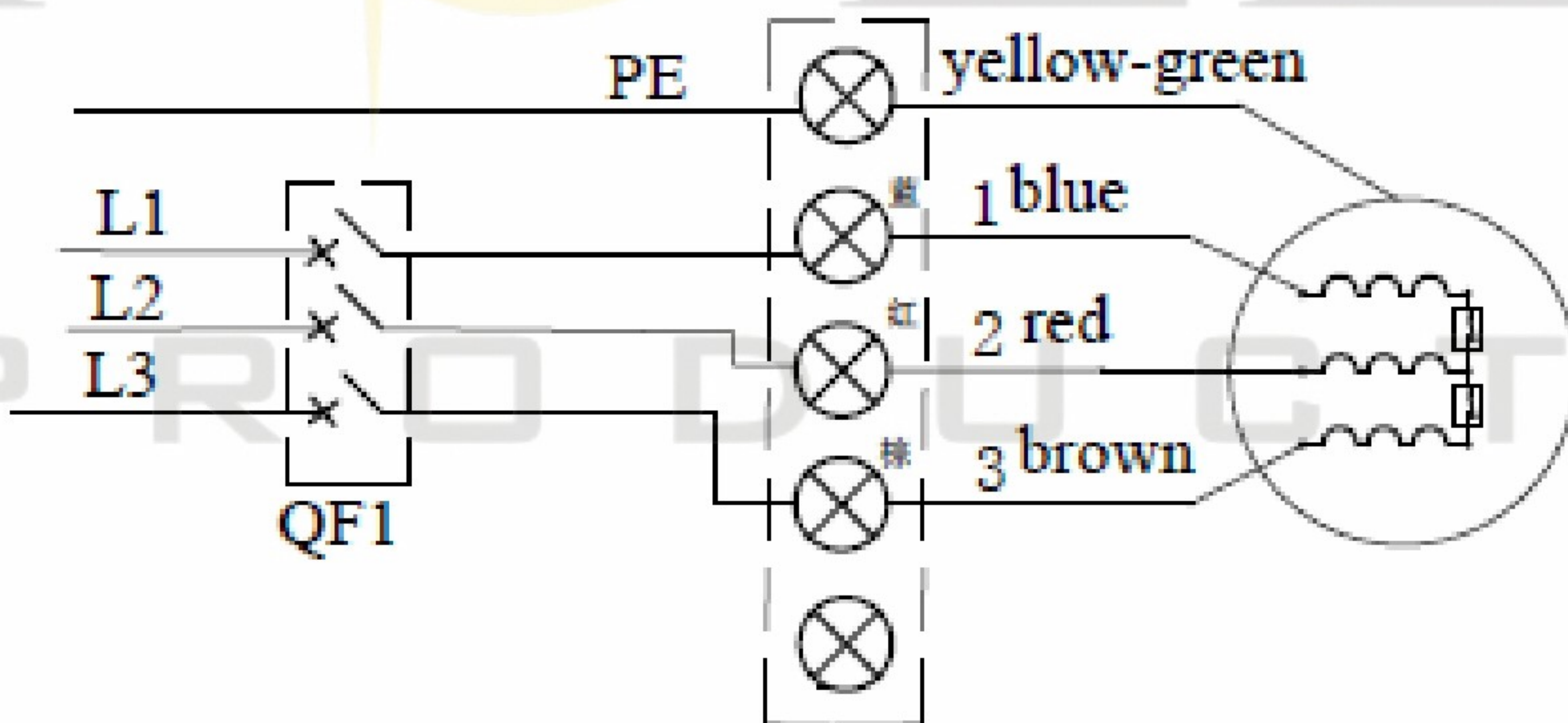
GMA3-630B-3
 400V/50Hz, 937W, 1.75A, 155Pa
 1378r/min, CL.F, IP54, 10/14
 ErP2015 $\eta=35.84\%$ (A,static) N=42.2
 Airflow-Suction
 www.psp.uk.com



PS: Fan working performance tested with filter wall plate, and under standard atmospheric pressure at 20 °C.

Performance parameters at key point:

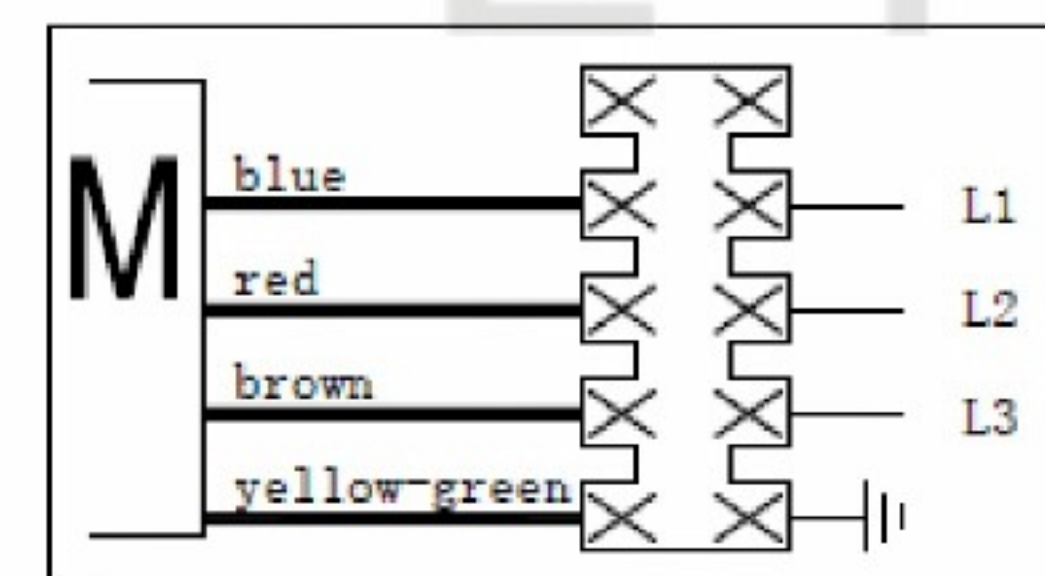
	psf (pa)	I (A)	Pi (W)	n (r/min)	Q (m³/h)	Note
①	0	1.48	705	1414	11304	
②	83	1.63	834	1395	9891	
③	155	1.75	937	1378	7804	MAX EFF.
④	249	1.98	1120	1346	4069	IMAX



Condition of use:

- 1) voltage and frequency: 3 ~ 400V ± 5%, 50 Hz.
- 2) Qualification requirements: Flowers terminal block.
- 3) Installation position: vertical or upward.
- 4) ambient temperature: -10 ~ 65°C.

The external wiring diagram:



Test data at free :

connection	UAC (V) ± 5%	f (Hz)	Pi (W) ± 10%	I (A) ± 10%	n (r/min) ± 10%	Noise (dB(A))
	3~400	50	780	1.65	1410	71

Technical specification:

1. All parts of fan should be properly assembled, no oil or dirt on the surface, no obvious distortion, mechanical damage and other defects.
2. Fan rotation is flexible, no delay, no operation sound, no scratch and other undesirable phenomena.
3. The safety requirement of fan is performed according to GB12350-2009, the electrical strength is 1800V·S, and the insulation resistance is not less than 100M at room temperature.
4. Motor insulation class, F CLASS.
5. Motor protection level, IP54, fan protection level, IP2X.
6. The fan balance level is: 1410 ± 10% r/min high than G6.3, vibration value is less than 5.4mm/s.
7. Built in thermal protector
8. With 630 concave net cover N100T17

SPECIFICATION					
Motor	3Ph	Speed (RPM)	1378	Bearings	Ball
Voltage (V)	400	Motor Protection	Th. Prot	Weight (Kg)	16.3
Frequency (Hz)	50	Insulation Class	F	Air Volume (M³/h)	11,304
Power In/Out (W)	937	Protection Class	IP54	Pressure (Pa)	155
Current (A)	1.75	Temp. Range	-30 +60	Noise Level (dBA)	

POLE STAR
 PRODUCTS LIMITED

POLE STAR PRODUCTS LIMITED	
Product Code	GMA3-630B-3
Projection Angle	± 3°
	A4
	Scale:
	Sheet: 1 of