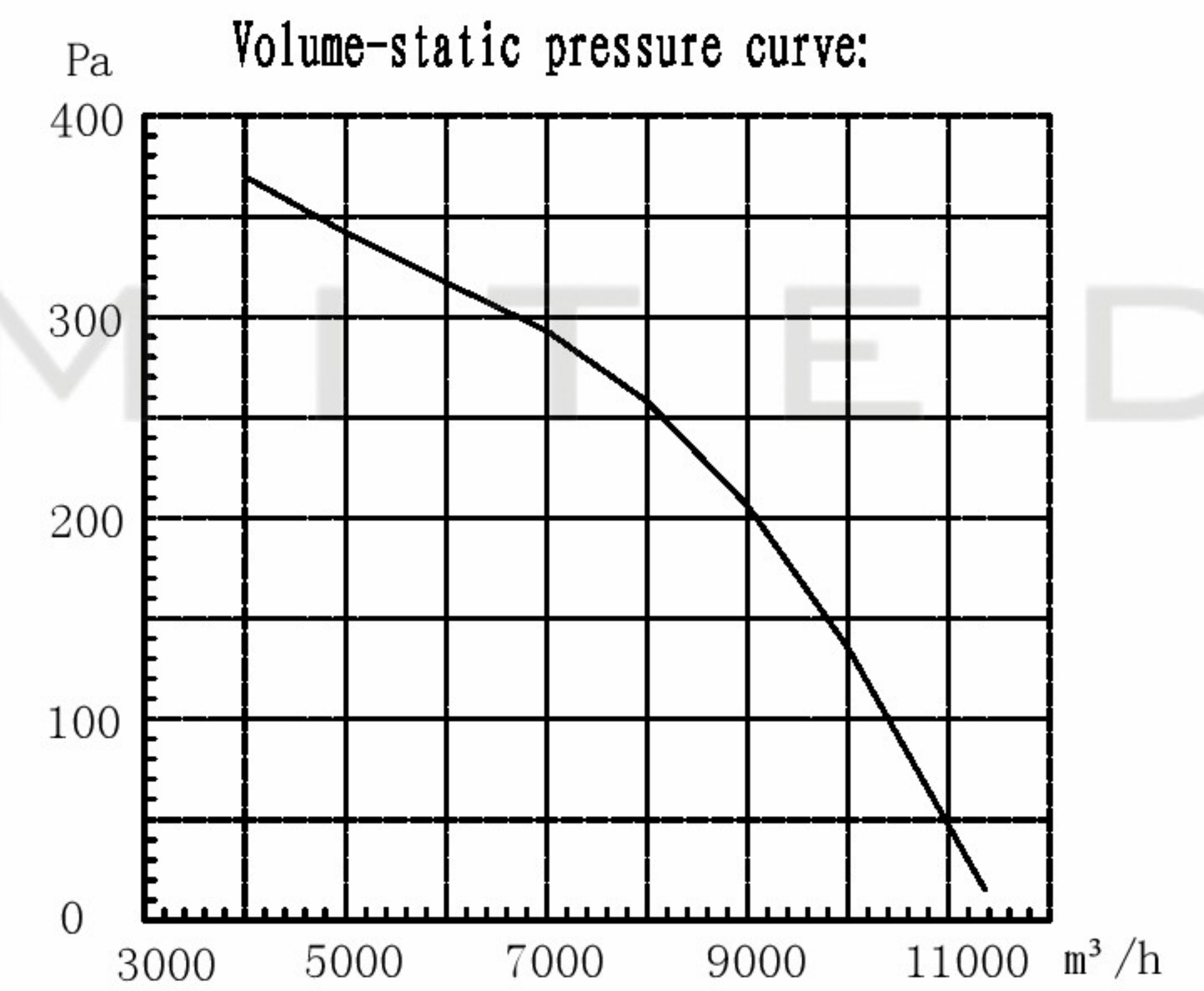
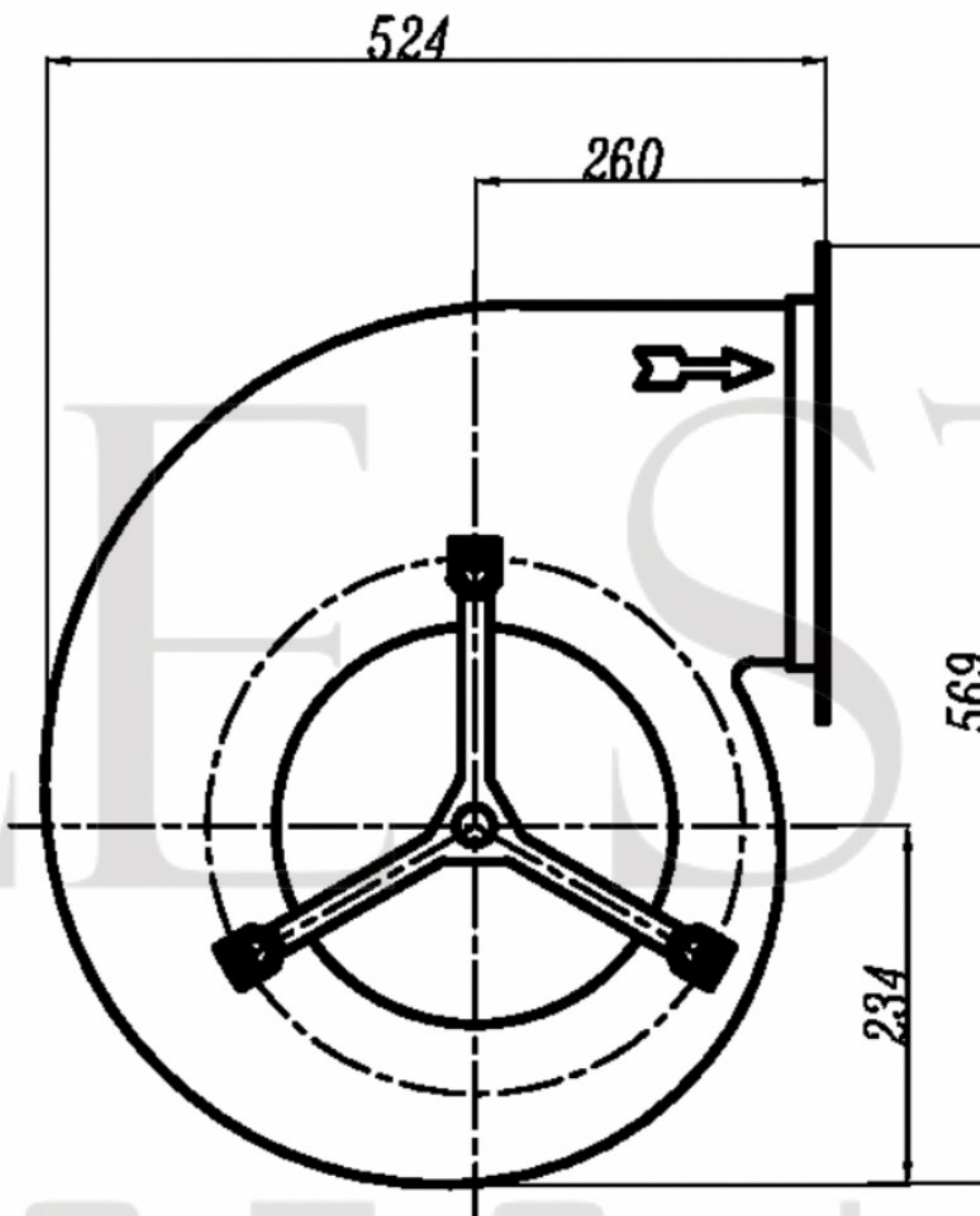
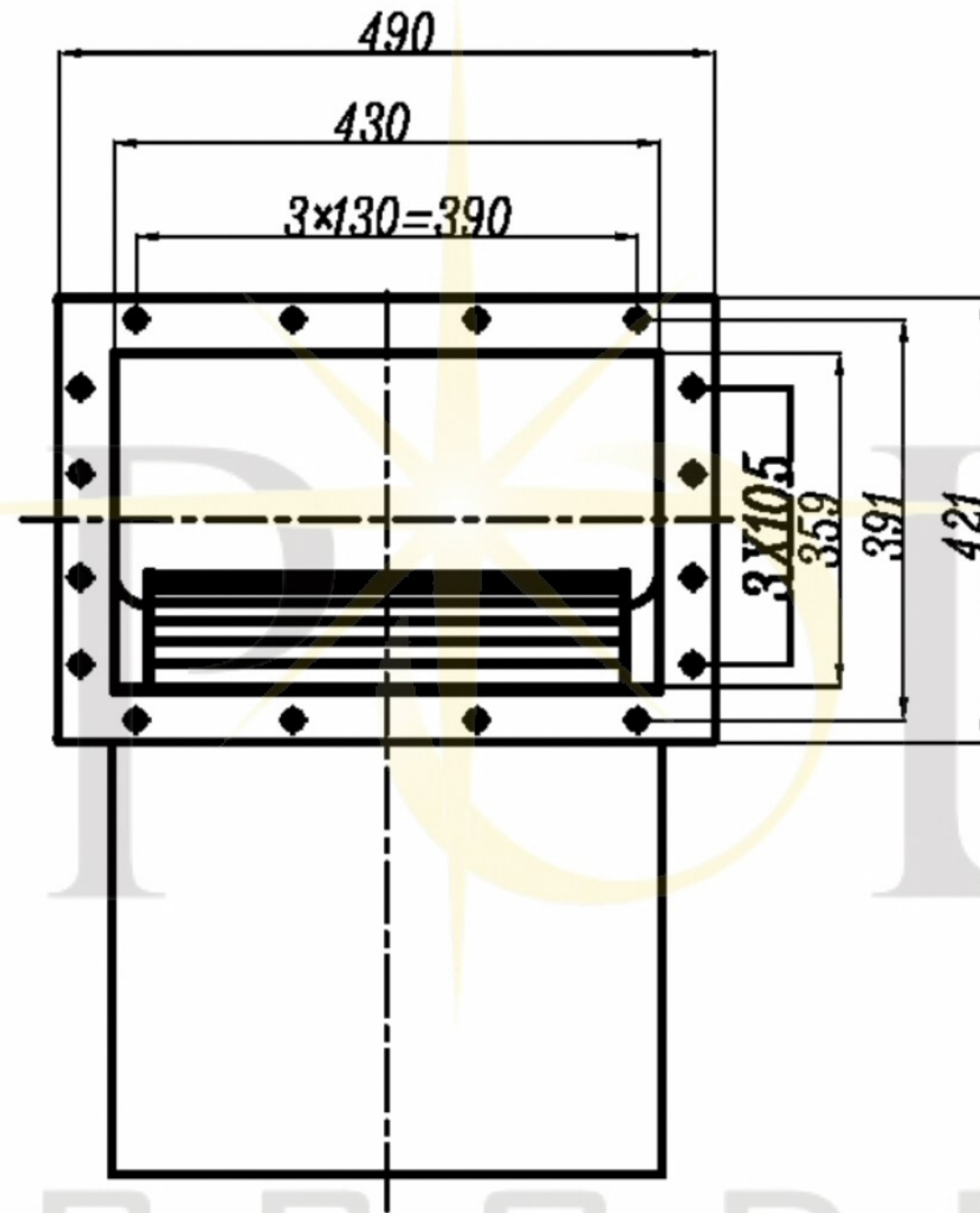
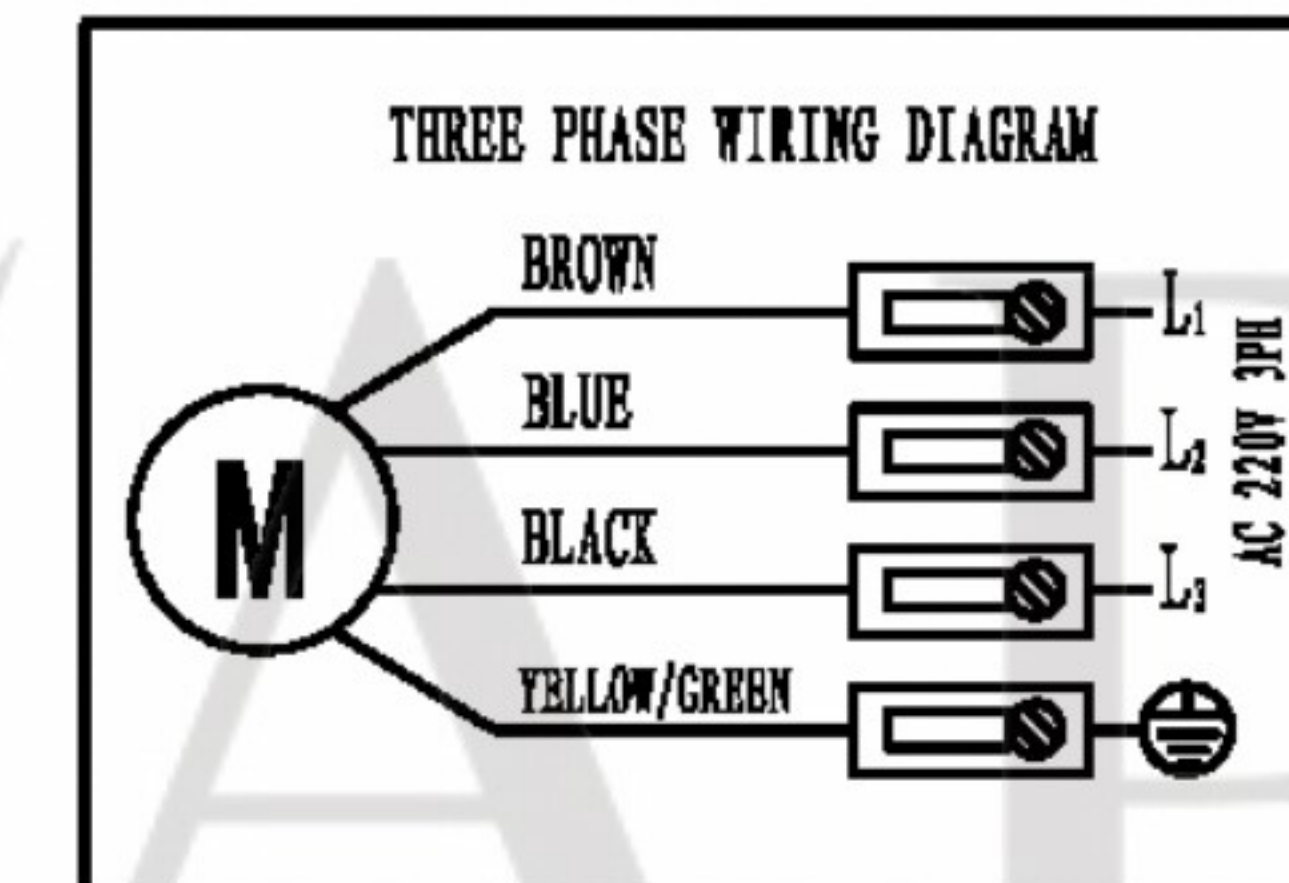


Label:

BOYOUNG®		DYP6D-355-QS1a		
380V	50Hz	3.9A	1800W	CE
930r/min	11360m3/h			

diagram:



Permissible ambient temperature: -25 ~ +60°C

Approvals: CE, CCC, ISO 9001:2015

SPECIFICATION					
Motor	PSC	Speed (RPM)	930	Bearings	Ball
Voltage (V)	380	Motor Protection	Th.Prot	Weight (Kg)	45
Frequency (Hz)	50	Insulation Class	B	Noise dB(A)	70
Power In/Out (W)	1800	Protection Class	IP54	Airflow (m3/h)	11360
Current (A)	3.9	Capacitor (MF)	N/A	Pressure (pa)	15

POLE STAR
PRODUCTS LIMITED

POLE STAR PRODUCTS LIMITED	
Product Code	CB355.400-1 (3ph)
Projection Angle	± 3°
Scale:	A4
Sheet:	1 of 1