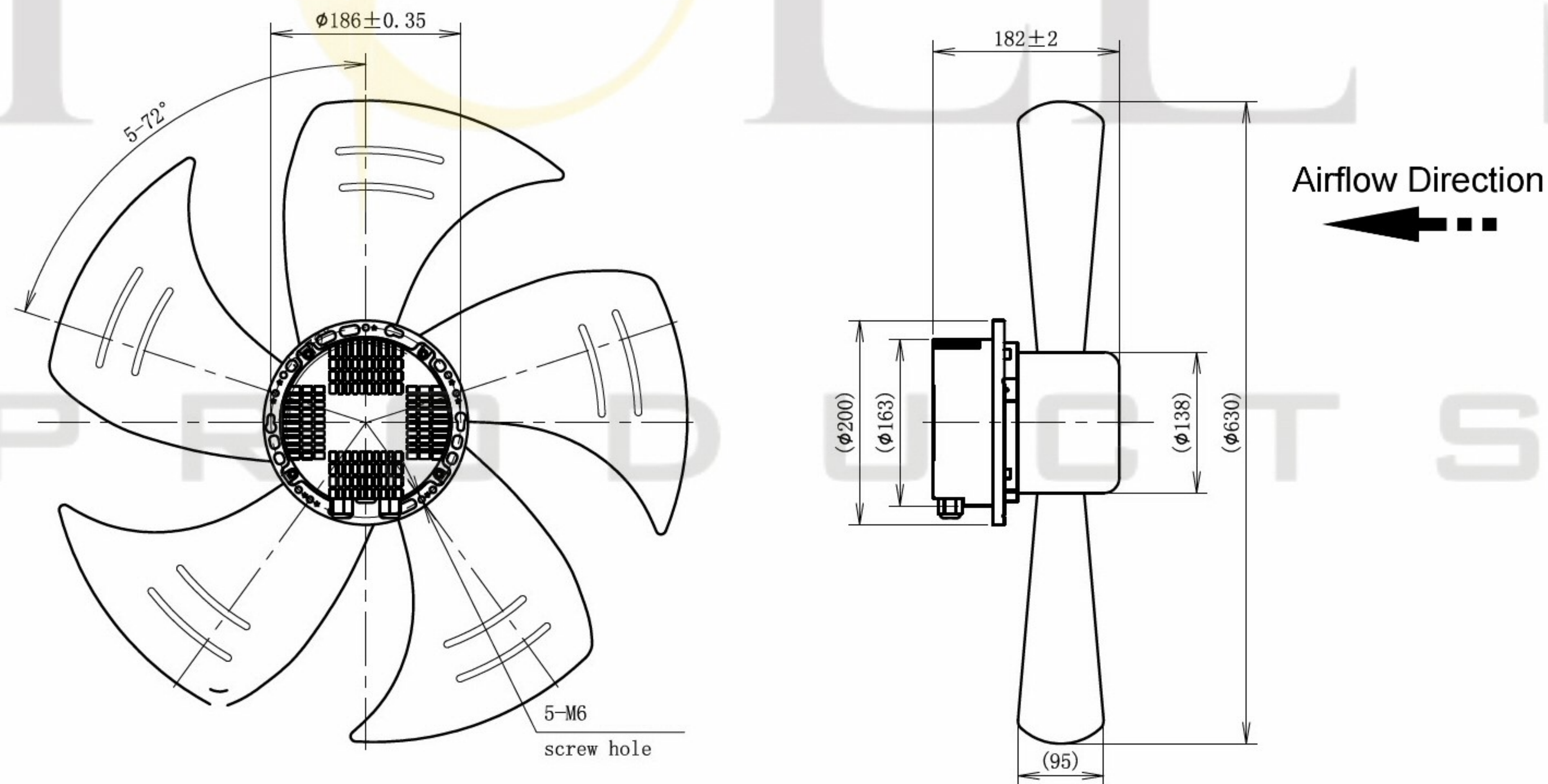


SIGNAL	COLOR	SPEC	SIGNAL	COLOR	SPEC
LIVE	BROWN	AC240V 50/60Hz	Vcc	RED	DC10V
NEUTRAL	BLUE	AC240V 50/60Hz	Vsp	YELLOW	0-10VDC/PWM
			GND	BLUE	GND
PE	YELLOW/GREEN	EARTH	FG	WHITE	12 Pulse/R



SPECIFICATION	Material: Sheet steel				
Motor	EC	Speed (RPM)	1100	Bearings	Ball
Voltage (V)	230/240	Motor Protection	Th.Prot.	Weight (Kg)	
Frequency (Hz)	50/60	Insulation Class	F	Noise dB(A)	69
Power In/Out (W)	600	Protection Class	IP44	Ambient Temp.	-25 ~ +60
Current (A)	2.8				

POLE STAR
PRODUCTS LIMITED

POLE STAR PRODUCTS LIMITED	
Product Code	GMA1-630S-EC(2)
Projection Angle	± 3°
	A4
	Scale:
	Sheet: 1 of