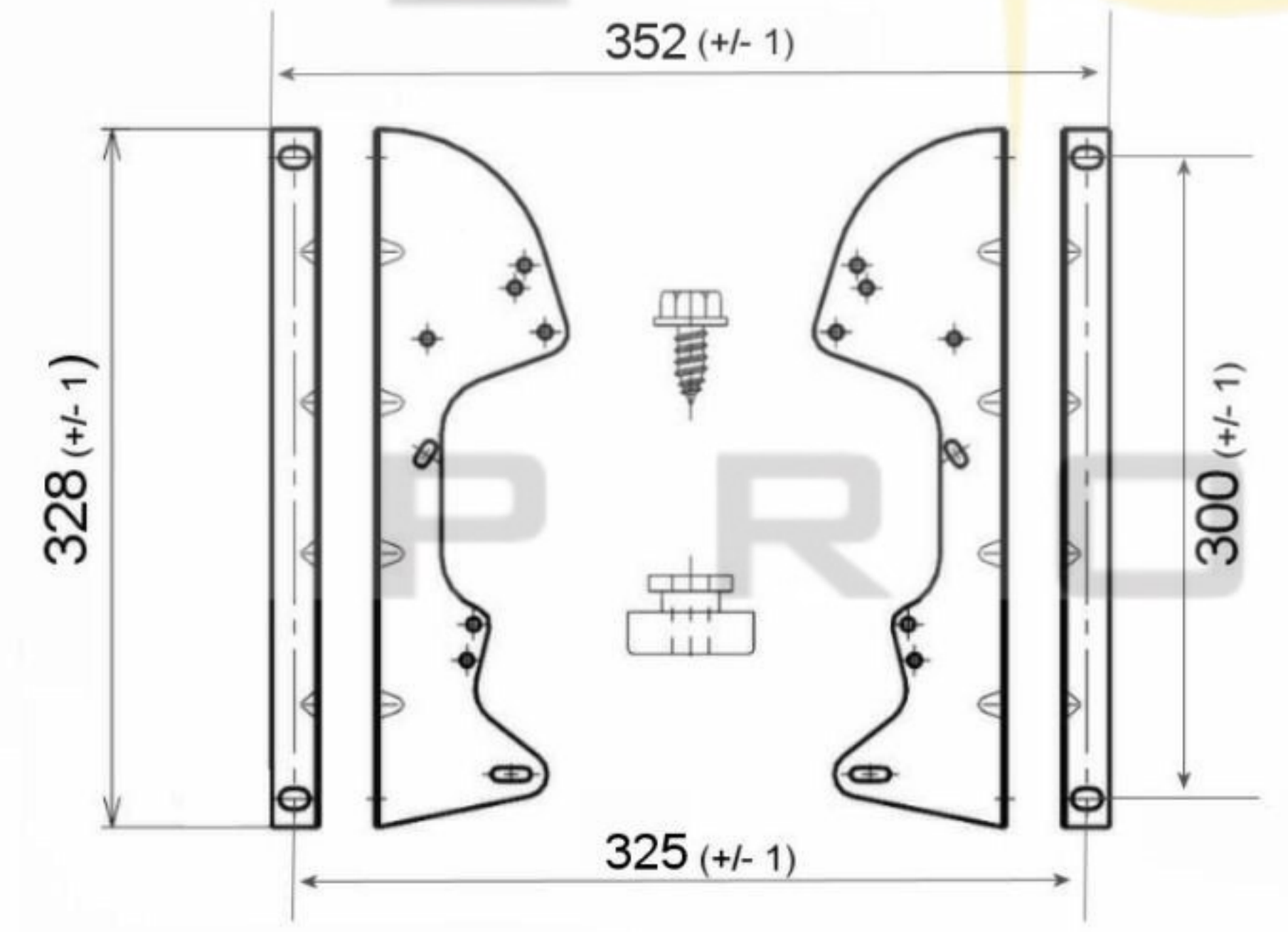
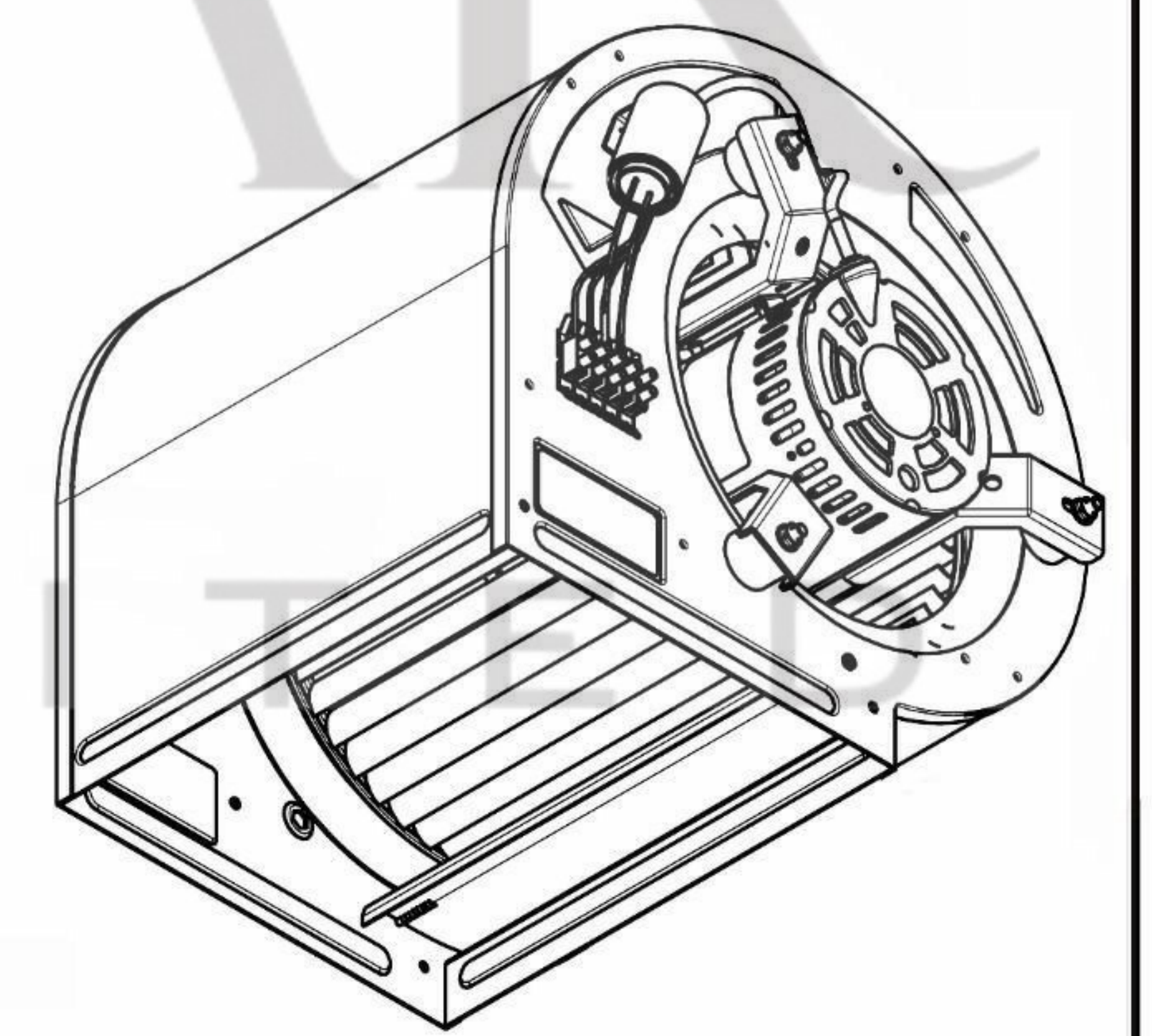
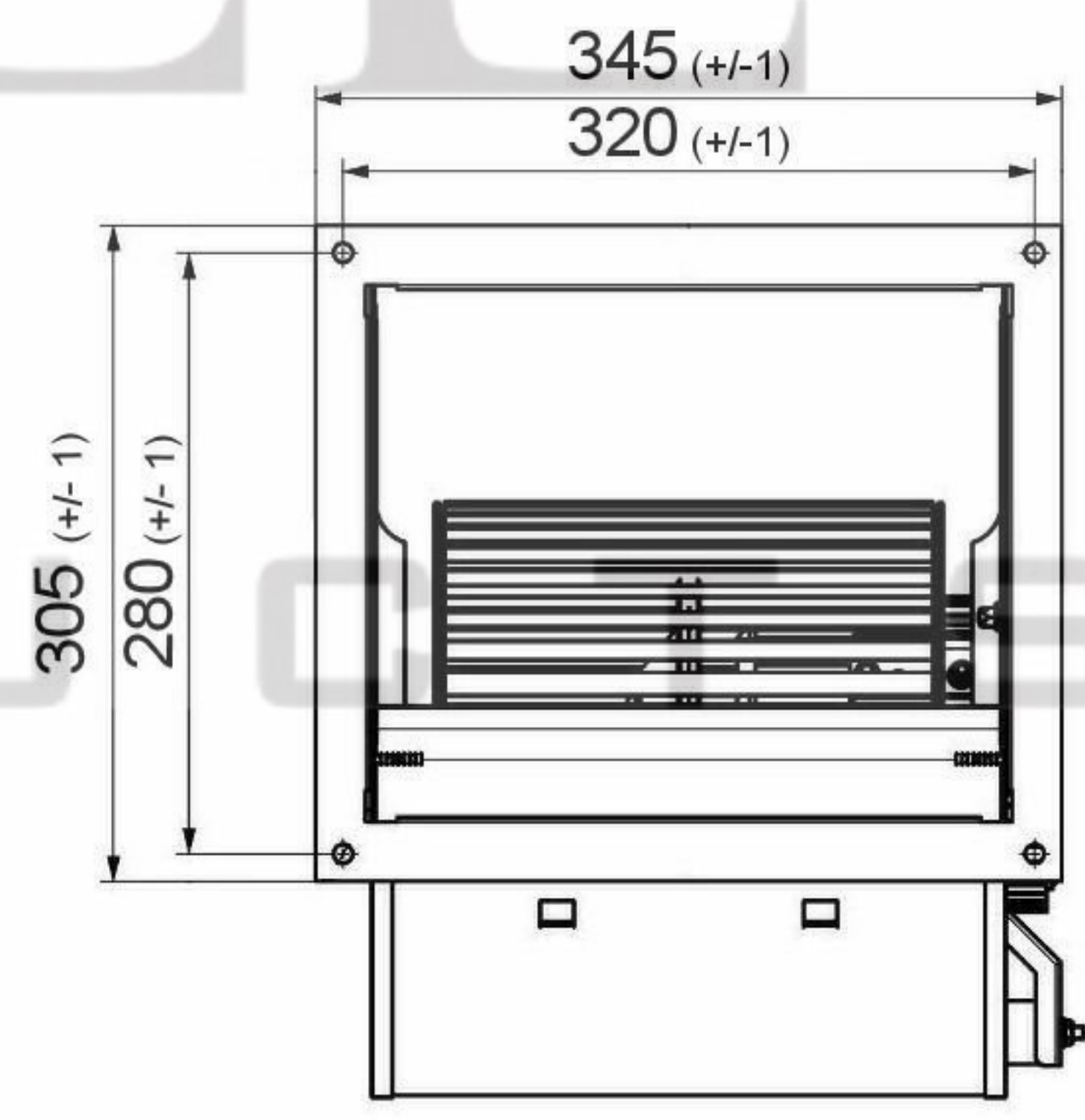


Accessories -DDF9/9(Mounting Feet)



Accessories - DDF9/9(Flange)



SPECIFICATION					
Motor	PSC	Speed (RPM)	1370	Bearings	BALL
Voltage (V)	230	Motor Protection	Th. Prot.	Weight (Kg)	
Frequency (Hz)	50/60	Insulation Class	B	Air Volume (M ³ /h)	
Power In/Out (W)	420	Protection Class	IP42	Noise Level (dBA)	
Current (A)		Capacitor (Mf)		Pressure (Pa)	

POLE STAR
PRODUCTS LIMITED

POLE STAR PRODUCTS LIMITED	
Product Code	
DD9/9-F420/1V-1	
Projection Angle ± 3°	
	A4
	Scale: Sheet: 1 of