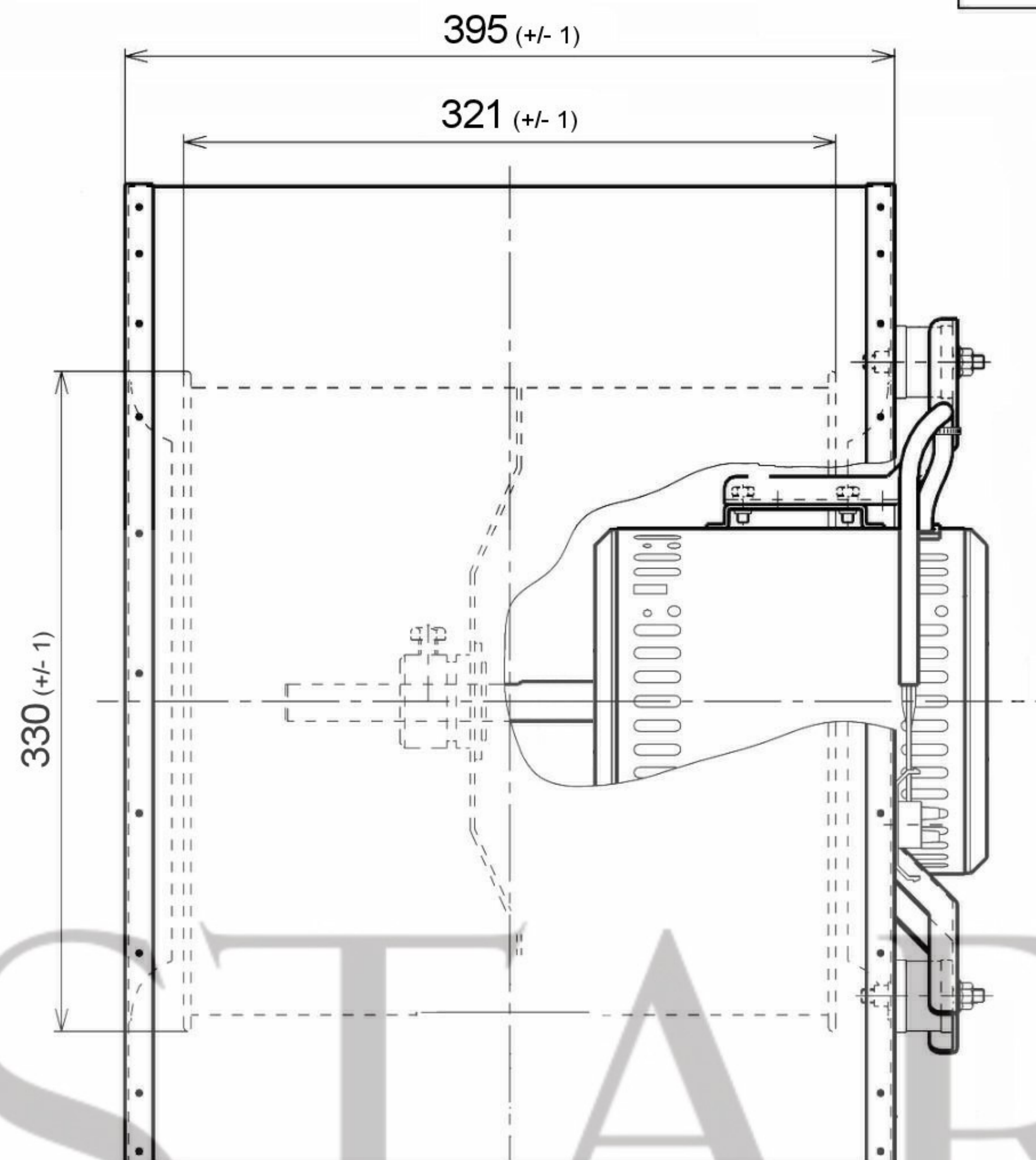
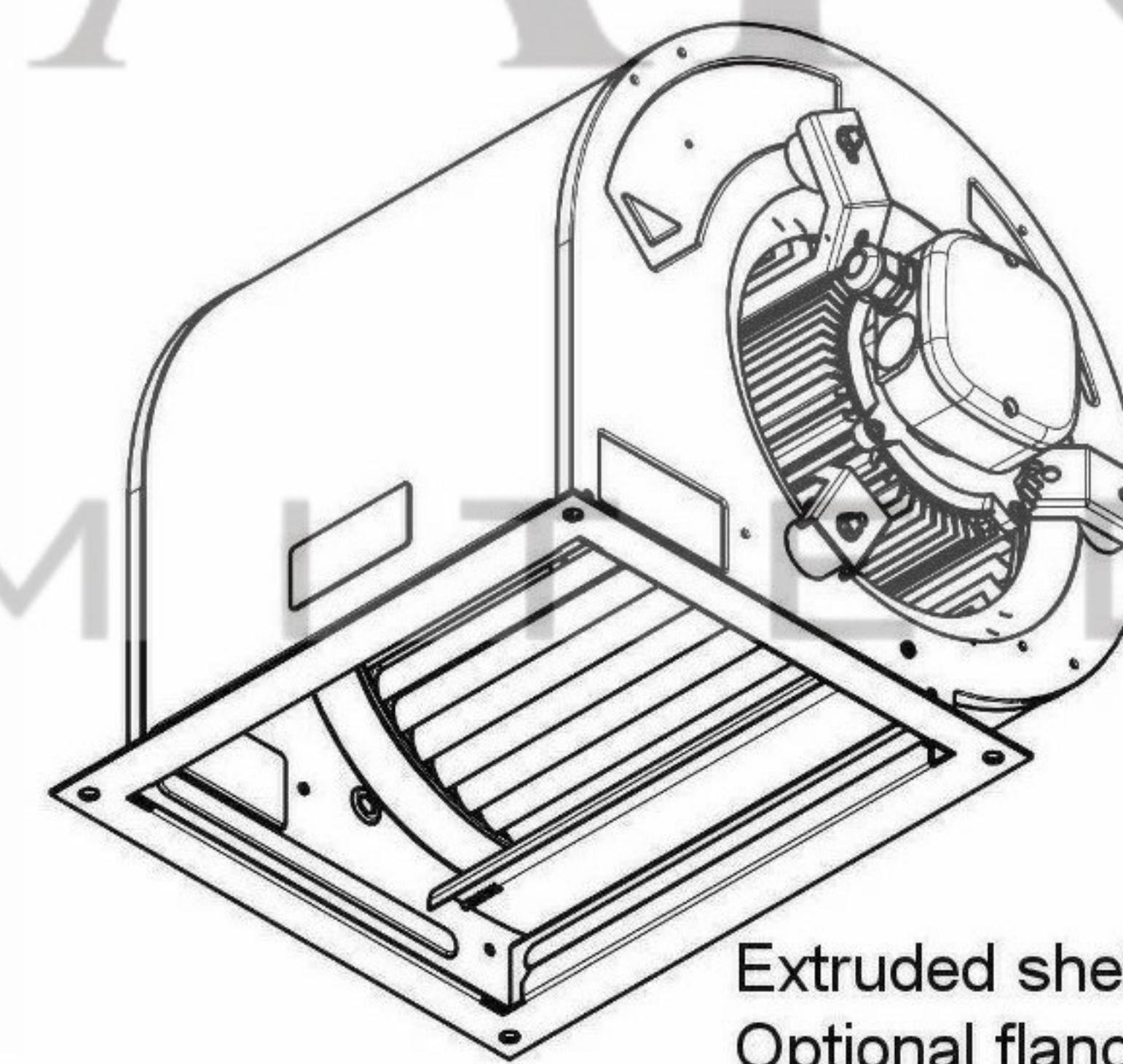
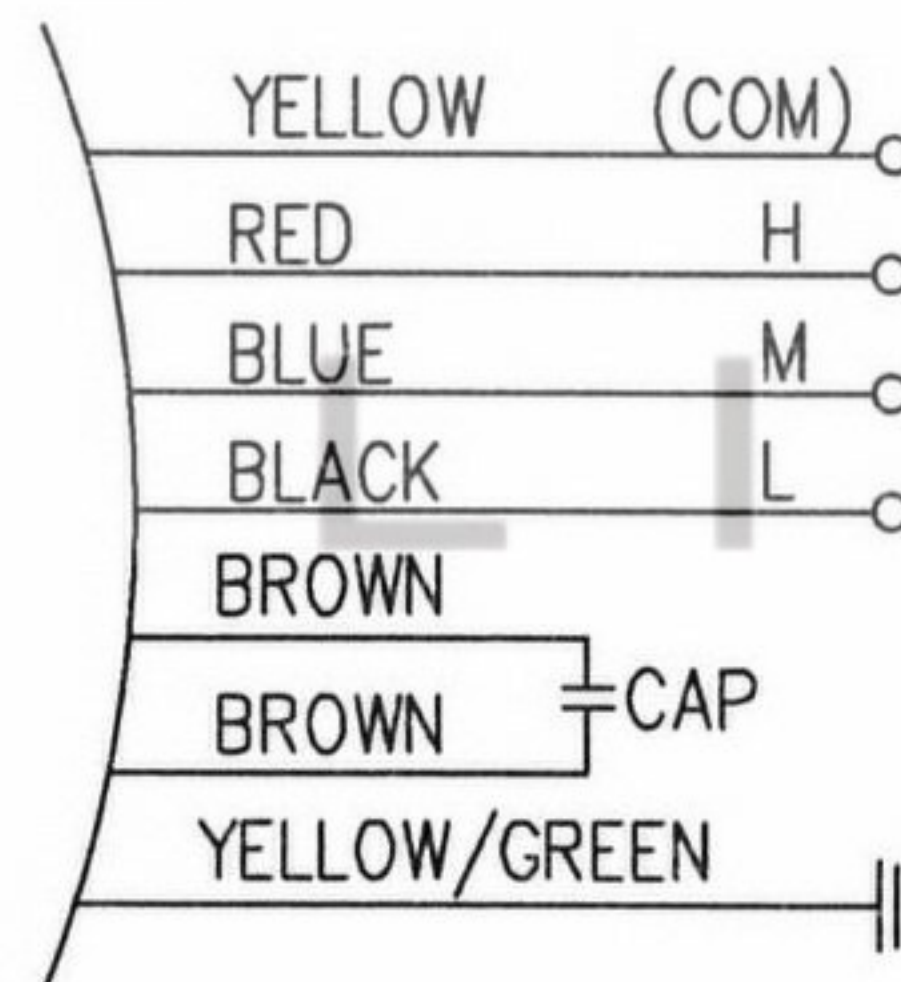
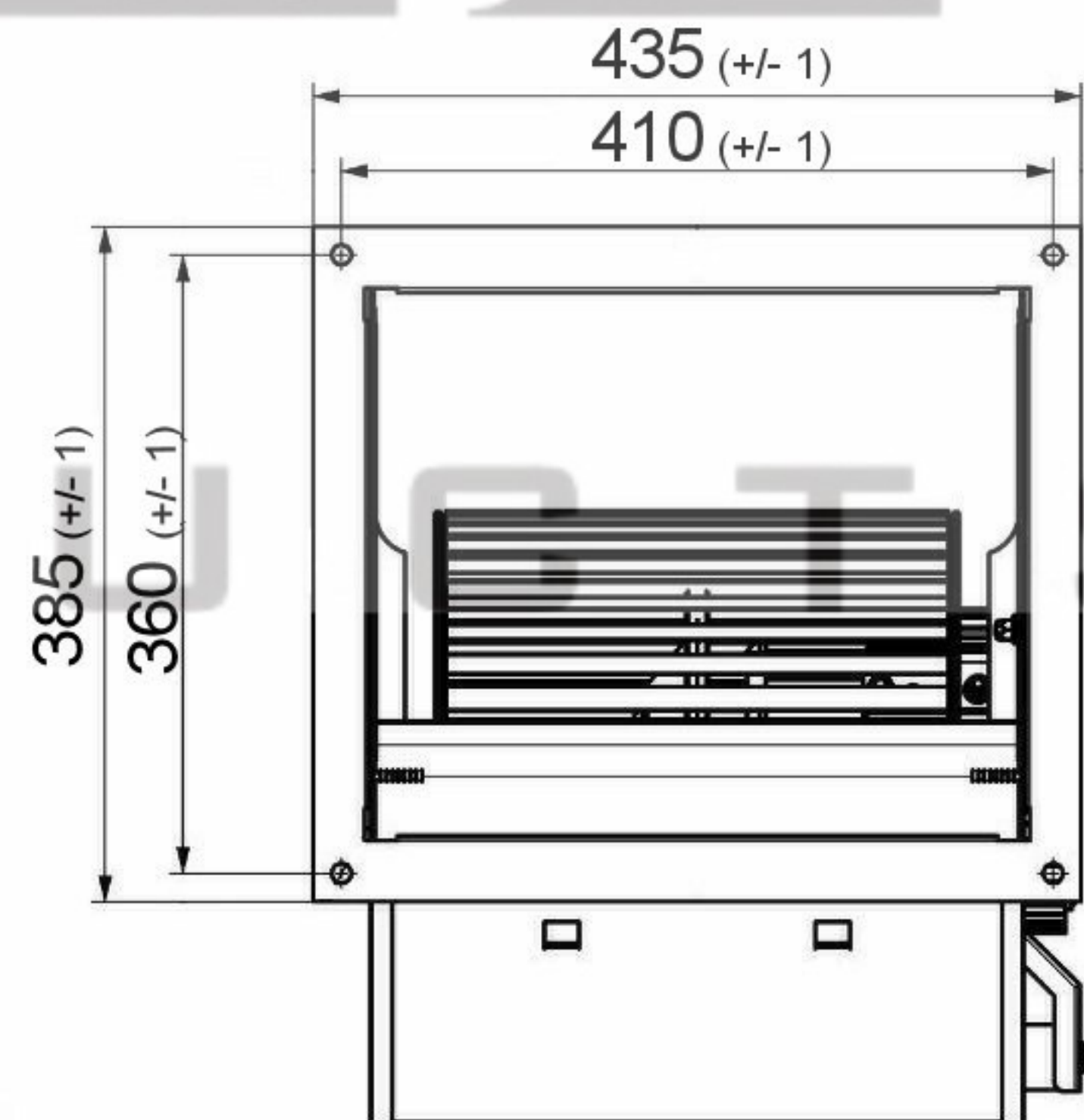
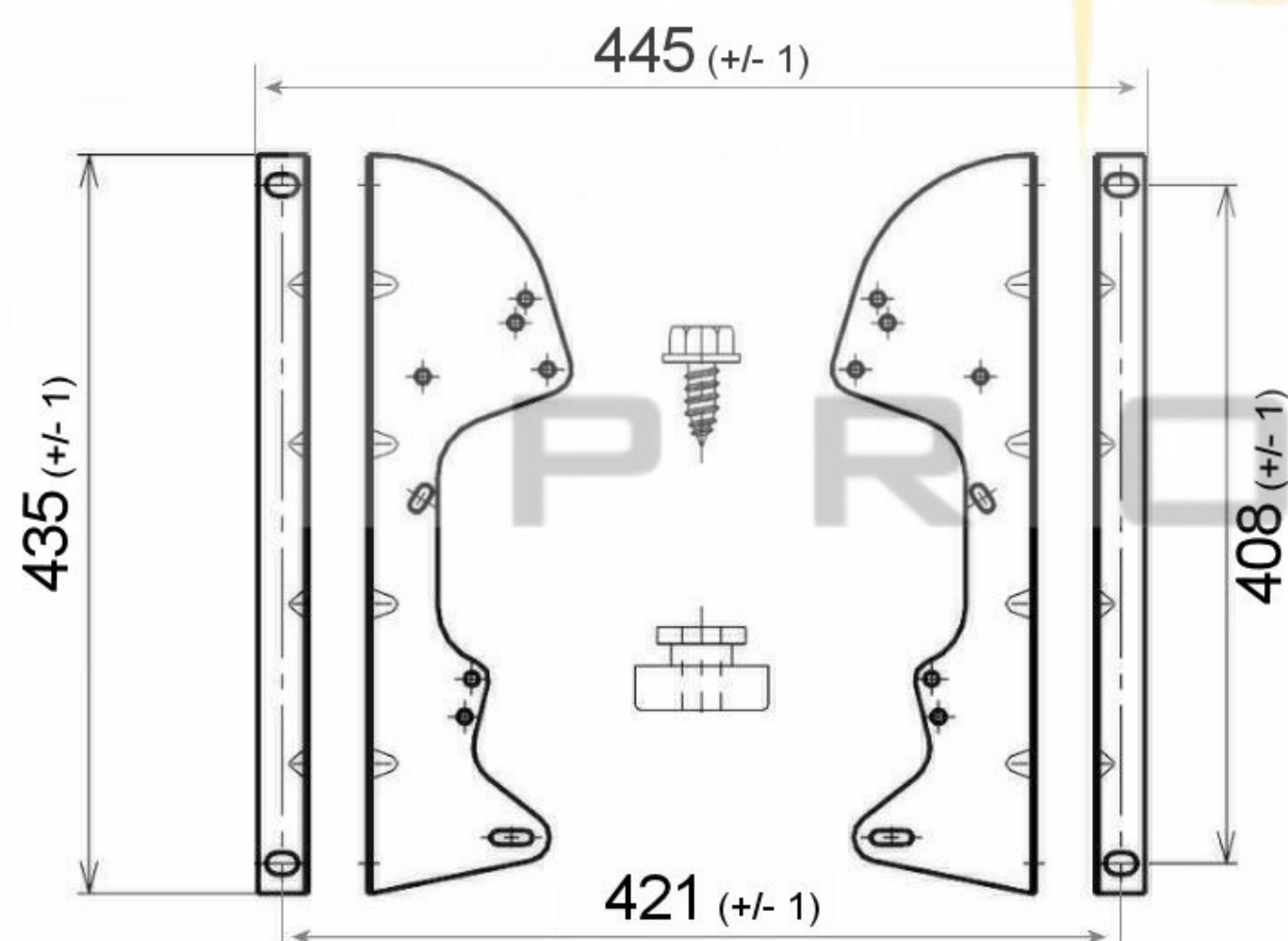


Accessories: DD12F (Mounting Feet)



Accessories: DDF12/12 (Mounting Flange)



Extruded shell motor depicted
Optional flange fitted

| SPECIFICATION | | | | | |
|------------------|---------|------------------|---------|--------------------------------|------|
| Motor | PSC | Speed (RPM) | 6 Pole | Bearings | Ball |
| Voltage (V) | 220/240 | Motor Protection | Th.Prot | Weight (Kg) | |
| Frequency (Hz) | 50/60 | Insulation Class | B | Air Volume (M ³ /h) | |
| Power In/Out (W) | 590 | Protection Class | IP42 | Noise Level (dBA) | |
| Speeds | 3 | Capacitor (Mf) | | Pressure (Pa) | |

POLE STAR
PRODUCTS LIMITED

| | |
|----------------------------|--------------------------|
| POLE STAR PRODUCTS LIMITED | |
| Product Code | DD12/12-S590/3V-1 |
| Projection Angle | ± 3° |
| | |
| Scale: | A4 |
| Sheet: 1 of | |