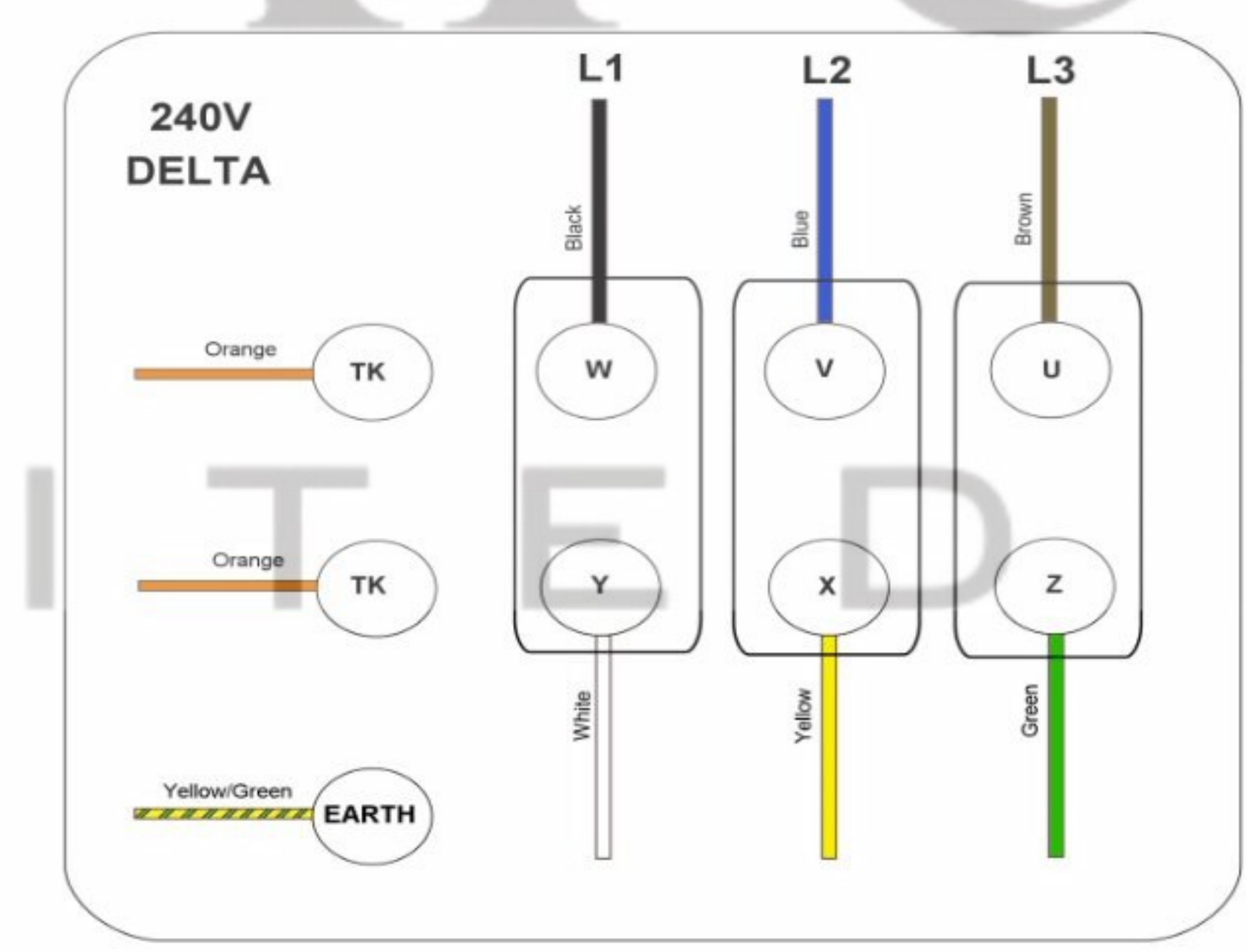
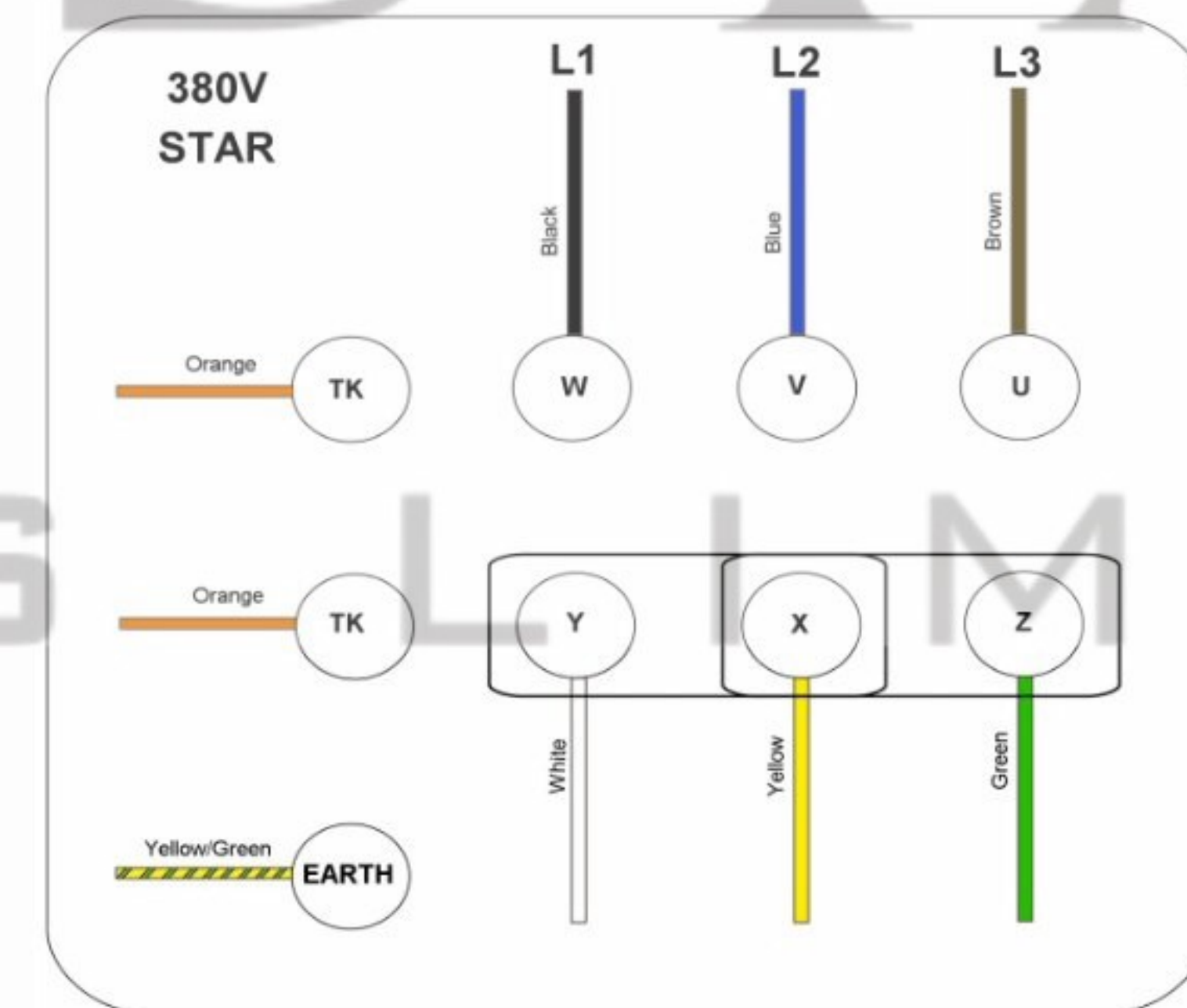
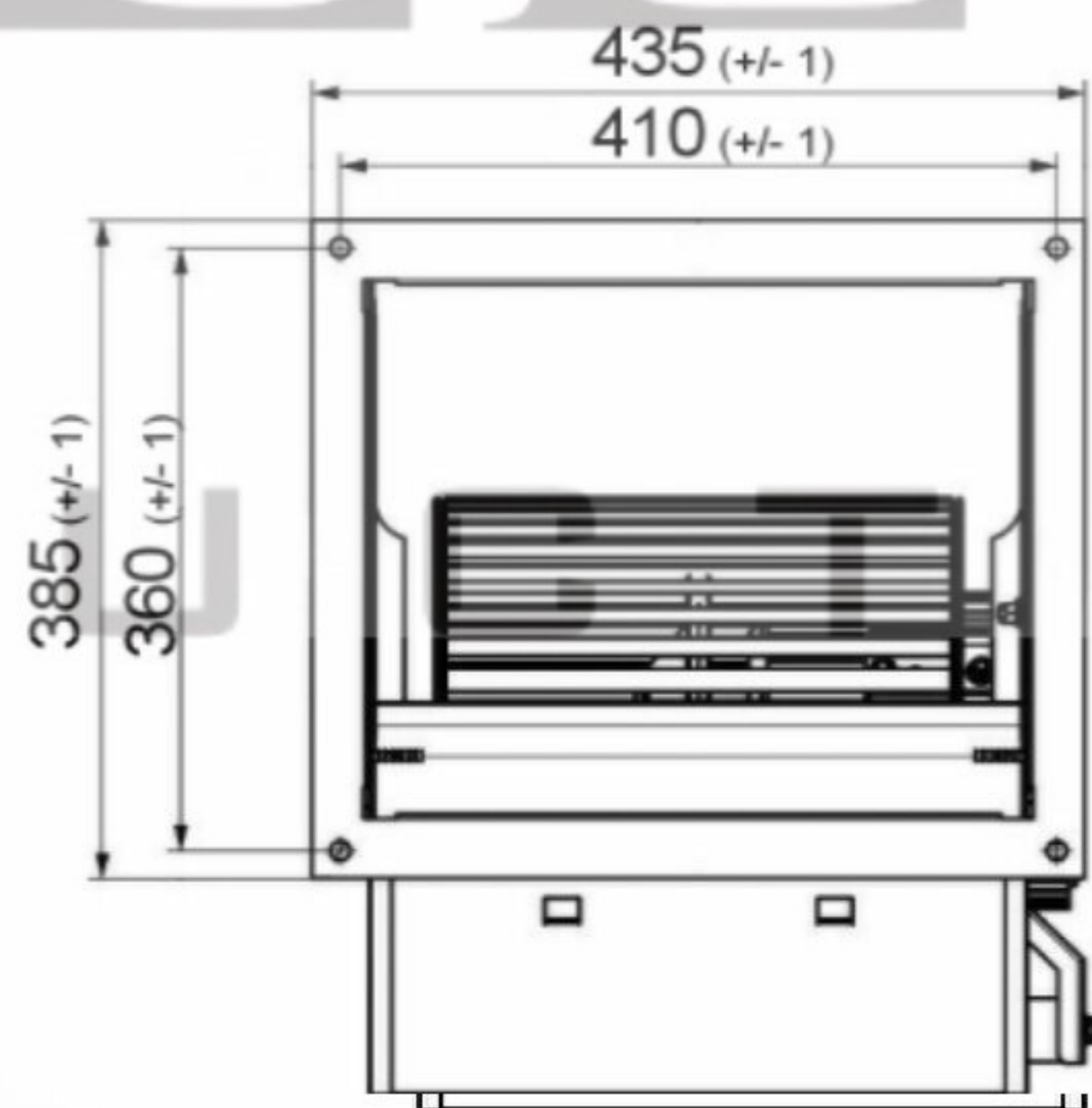
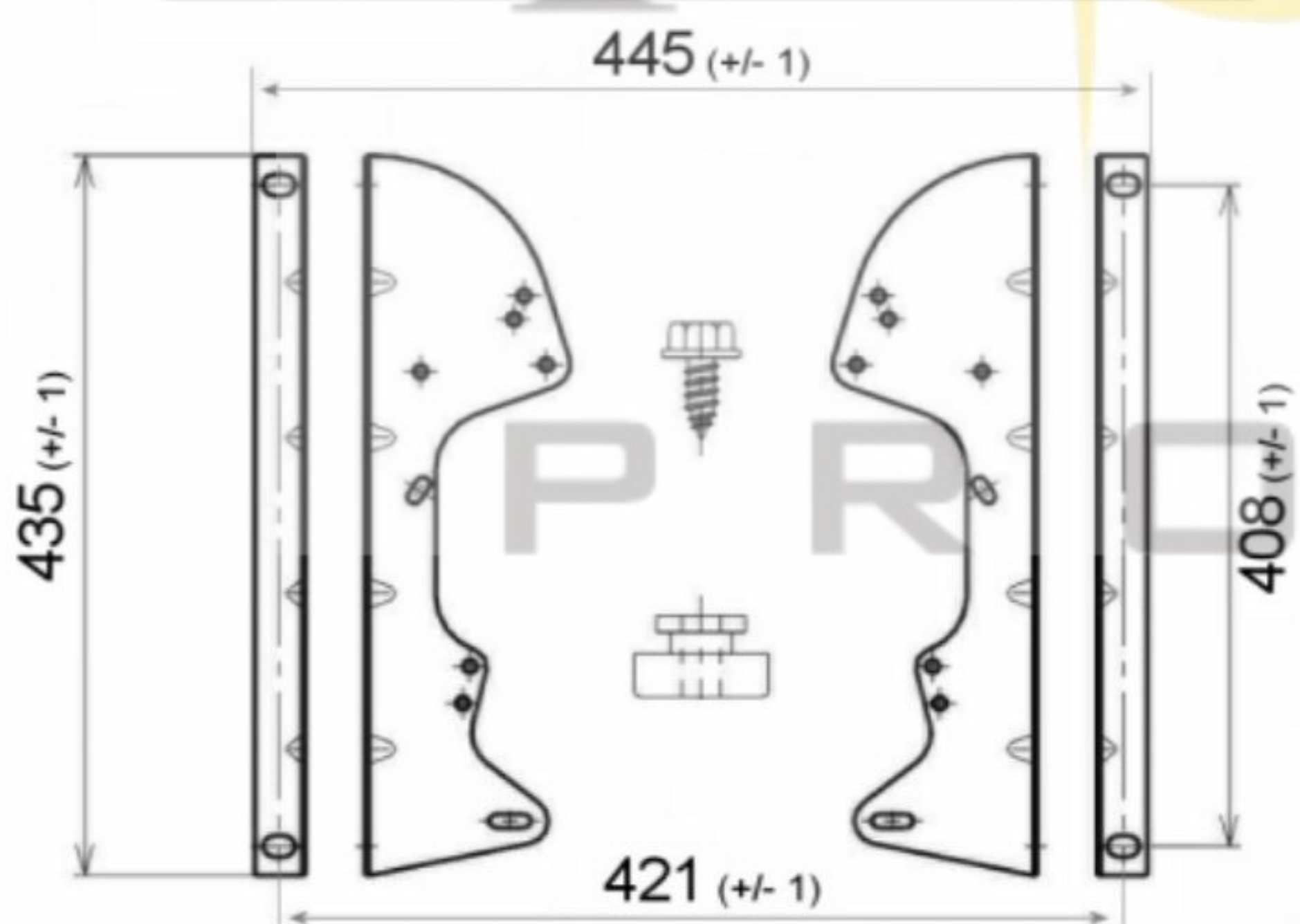


Accessories: DD12F (Mounting Feet)

Accessories: DDF12/12 (Mounting Flange)



SPECIFICATION					
Motor	3PH	Speed (RPM)	4 Pole	Bearings	Ball
Voltage (V)	400	Motor Protection	Th.Prot	Weight (Kg)	
Frequency (Hz)	50	Insulation Class	B	Air Volume (M <sup>3</sup> /h)	
Power In/Out (W)	1500	Protection Class	55	Noise Level (dBA)	
Current (A)		Capacitor (Mf)		Pressure (Pa)	

**POLE STAR**  
PRODUCTS LIMITED

POLE STAR PRODUCTS LIMITED	
Product Code	<b>DD12/12-F1500/1V-3P</b>
Projection Angle	± 3°
	A4
	Scale: Sheet: 1 of