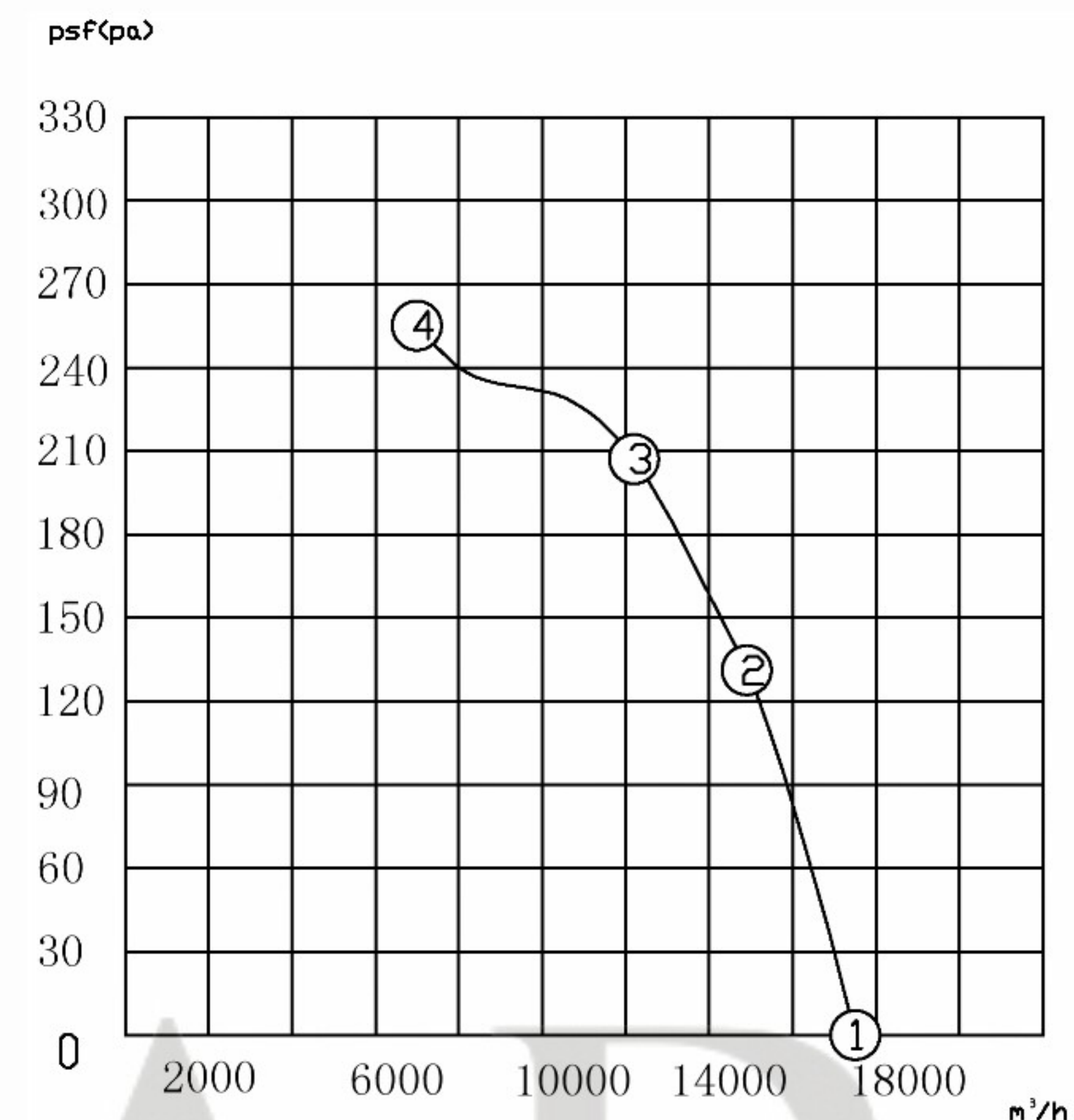


POLE STAR
PRODUCTS LIMITED

400V/50Hz, 2331W, 4.48A
1395r/min, CL.F, IP54, 02/21
Airflow-SUCTION
www.psp.uk.com **CE**

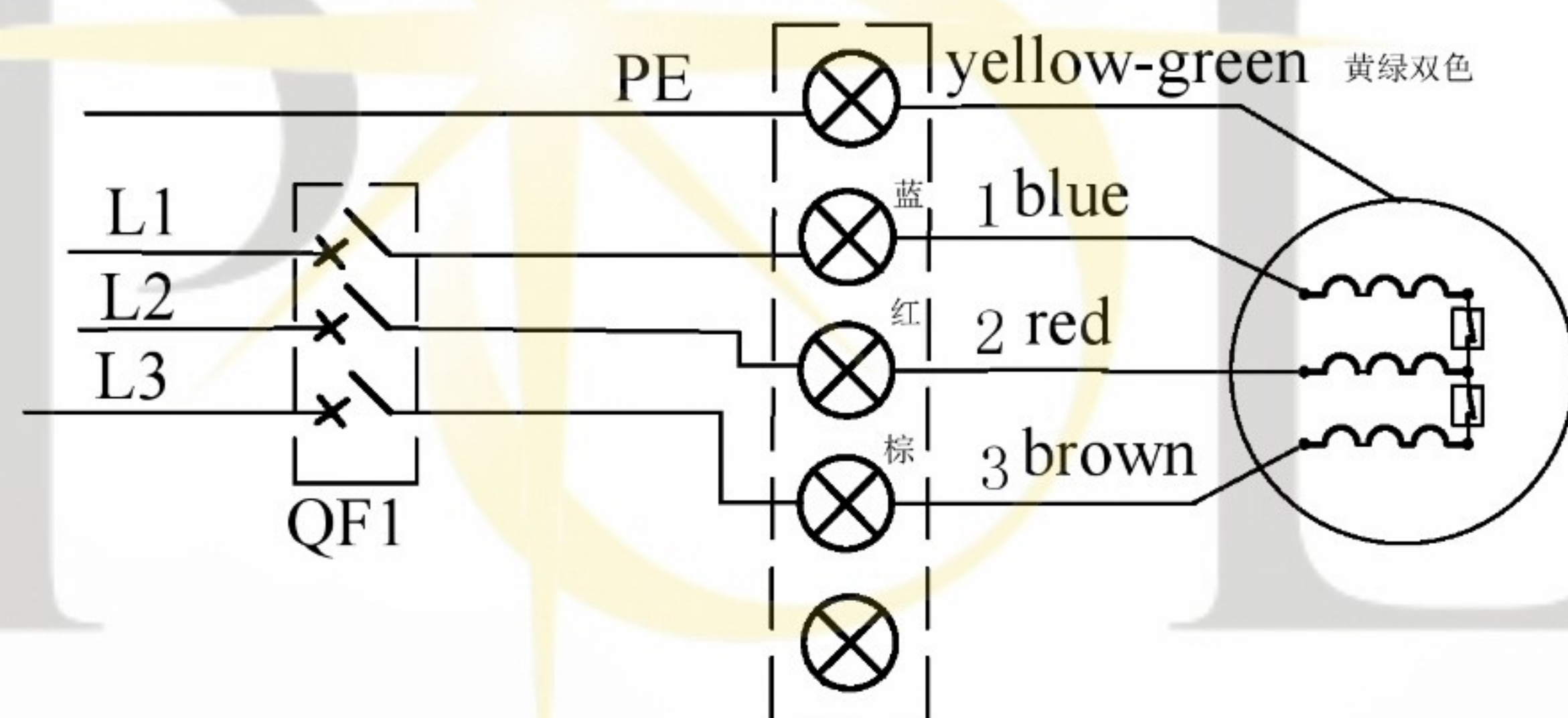


PS: Fan working performance tested with Maer wall plate, and under standard atmospheric pressure at 20 °C.

Performance parameters at key point:

	psf (pa)	I (A)	P1 (W)	n (r/min)	Q (m³/h)	Note
①	0	3.97	1868	1421	17512	
②	131	4.30	2175	1404	14903	
③	207	4.48	2331	1395	12233	MAX EFF.
④	255	4.53	2394	1390	7019	IMAX

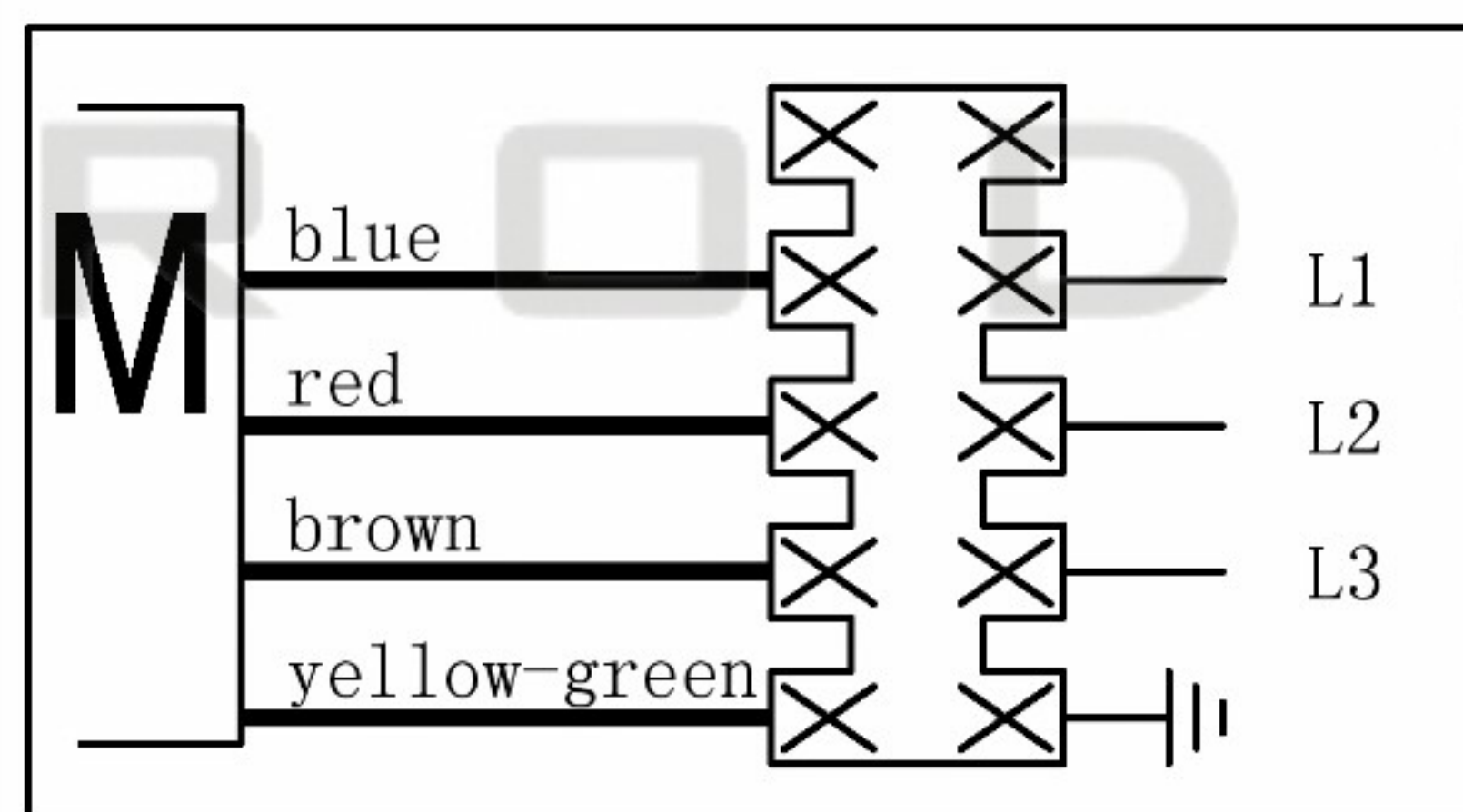
Wiring diagram:



Technical specification:

- All parts of fan should be properly assembled, no oil or dirt on the surface, no obvious distortion, mechanical damage and other defects.
- Fan rotation is flexible, no delay, no operation sound, no scratch and other undesirable phenomena.
- The safety requirement of fan is performed according to GB12350-2009, the electrical strength is 1800V/s and the insulation resistance is not less than 100M at room temperature.
- Motor insulation class, F CLASS.
- Motor protection level, IP54, fan protection level, IP2X.
- The fan balance level is: $1404 \pm 10\%$ r/min high than G6.3, vibration value is less than 5.4mm/s.
- Built-in heat protector

The external wiring diagram:



Test data at free :

connection	UAC (V) ±5%	F (Hz)	P1 (W) ±10%	I (A) ±10%	n (r/min) ±10%	Noise dB(A)
	3~400	50	2175	4.30	1404	81

Condition of use:

- voltage and frequency: $3 \sim 400 V \pm 5\%$, 50 Hz.
- Lead cable: Terminal block, the recommended standard of lead wire is not less than 1.0 mm^2 .
- Installation position: vertical or upward.
- ambient temperature: $-40 \sim 70^\circ\text{C}$.

SPECIFICATION					
Motor	3ph	Speed (RPM)	1404	Bearings	Ball
Voltage (V)	400	Motor Protection	Th.Prot	Weight (Kg)	
Frequency (Hz)	50	Insulation Class	F	Noise dB(A)	81
Power In/Out (W)	2175	Protection Class	IP54		
Current (A)	4.3				

POLE STAR
PRODUCTS LIMITED

POLE STAR PRODUCTS LIMITED	
Product Code	GMAF3-630S4-2
Projection Angle	$\pm 3^\circ$
Scale:	A4
Sheet: 1 of	