

项目 ITEM	电压 VOLTAGE	频率 FREQUENCY	转速 SPEED	功率 POWER	电流 CURRENT	风量 AIRFLOW	静压 PRESSURE	Vsp
单位 UNIT	[V]	[Hz]	[r/min]	[W]	[A]	[m³/h]	[Pa]	[V]
1	220	50	1427	533	2.49	8438	0	10V
2	220	50	1428	599	2.80	7172	90	
3	220	50	1424	669	3.12	5877	151	
4	220	50	1408	687	3.20	4562	180	
5	220	50	1259	615	2.87	1978	236	7V
6	220	50	1267	386	1.82	7566	0	
7	220	50	1279	424	2.00	6618	59	
8	220	50	1278	477	2.24	5507	101	
9	220	50	1267	567	2.65	2705	199	5V
10	220	50	1259	614	2.86	1982	236	
11	220	50	919	164	0.81	5427	0	
12	220	50	918	173	0.86	4772	32	
13	220	50	918	189	0.93	3888	61	
14	220	50	918	209	1.02	2850	81	
15	220	50	918	236	1.14	1875	112	

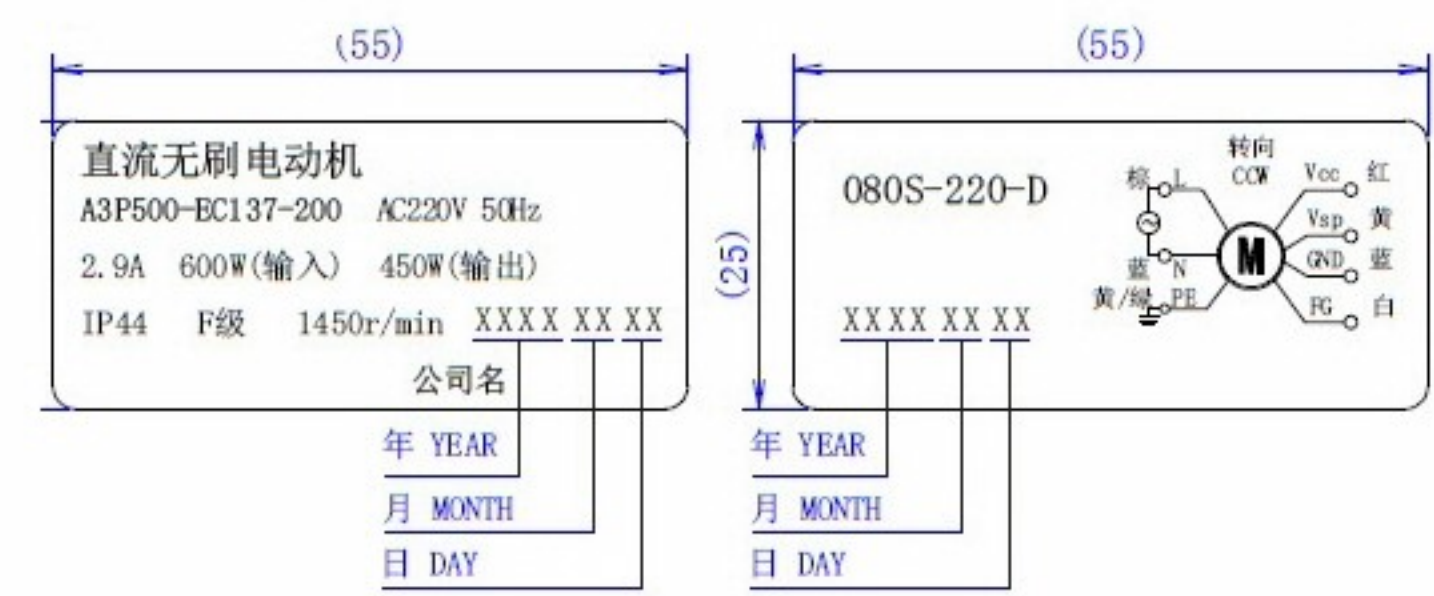
PRODUCTS LIMITED

电线 WIRES: 3*AWG18

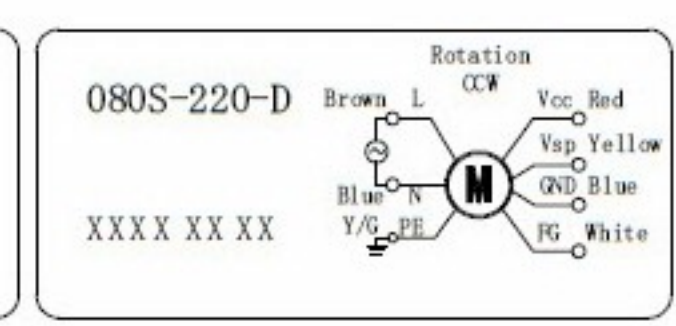
电线 WIRES: 4*AWG22

NO.	信号名 SIGNAL	颜色 COLOR	规格 SPEC
1	L	棕 BROWN	AC220V/50Hz
2	N	蓝 BLUE	AC220V/50Hz
3	PE	黄/绿 YELLOW/GREEN	接地 EARTH

NO.	信号名 SIGNAL	颜色 COLOR	规格 SPEC
1	Vcc	红 RED	DC10V输出
2	Vsp	黄 YELLOW	0-10V/PWM
3	GND	蓝 BLUE	GND
4	FG	白 WHITE	12 Pulse/R



DC BRUSHLESS MOTOR
A3P500-BC137-200 AC220V 50Hz
2.9A 600W 1450r/min
IP44 CL.F XXXX XX XX



SPECIFICATION					
Motor	EC	Speed (RPM)	1450	Bearings	Ball
Voltage (V)	200~277	Motor Protection	Electronic	Weight (Kg)	18
Frequency (Hz)	50/60	Insulation Class	B	Noise dB(A)	71
Power In/Out (W)	600	Protection Class	IP44	Amb. Temp. Range	-20~+60°C
Current (A)	2.9	Speed control	0~10-V DC	Life (Hrs/Min)	40,000

POLE STAR
PRODUCTS LIMITED

POLE STAR PRODUCTS LIMITED

Product Code
GMA1-500S-EC-2

Projection Angle
± 3°

A4
Scale:
Sheet: 1 of