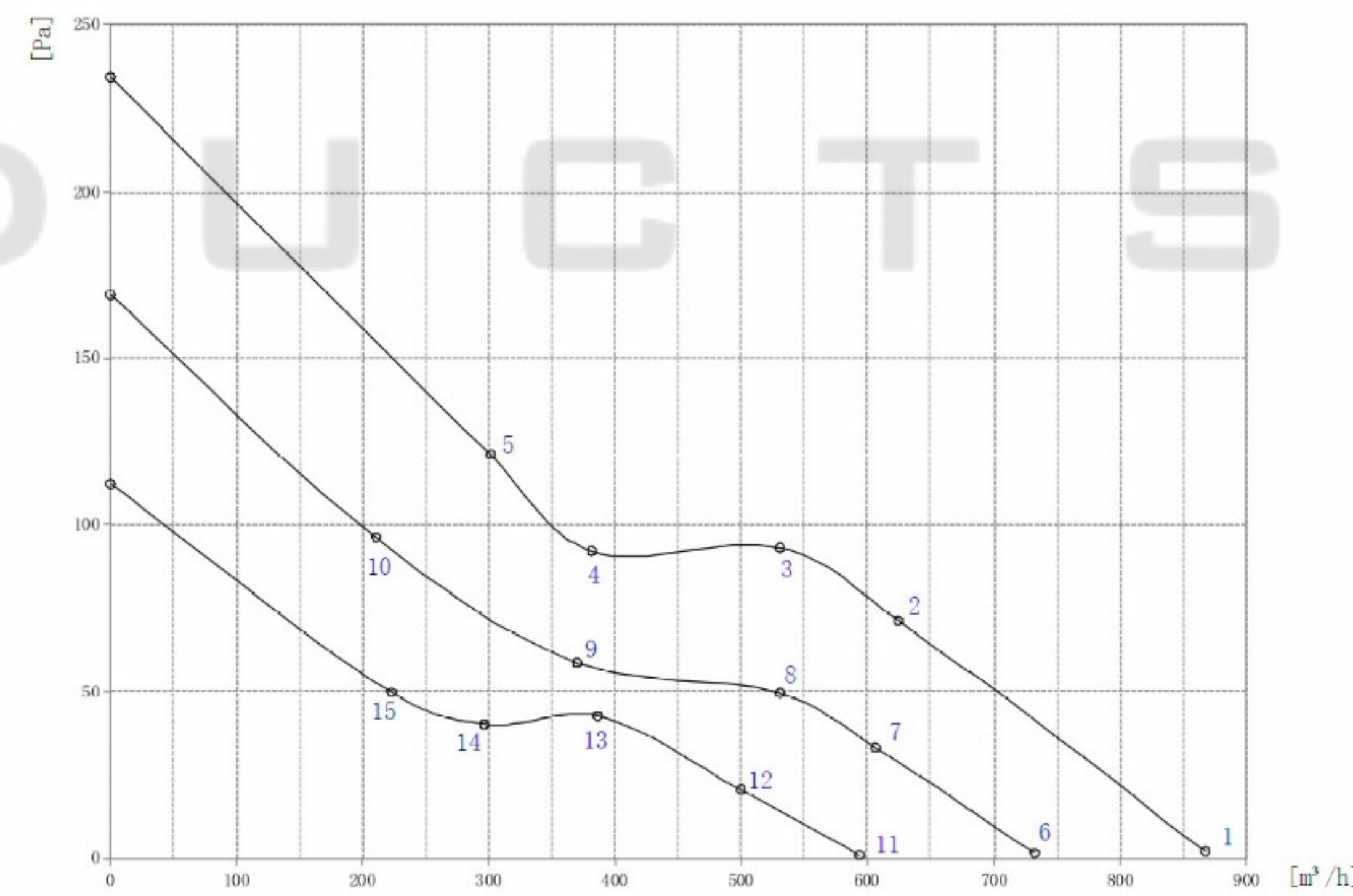
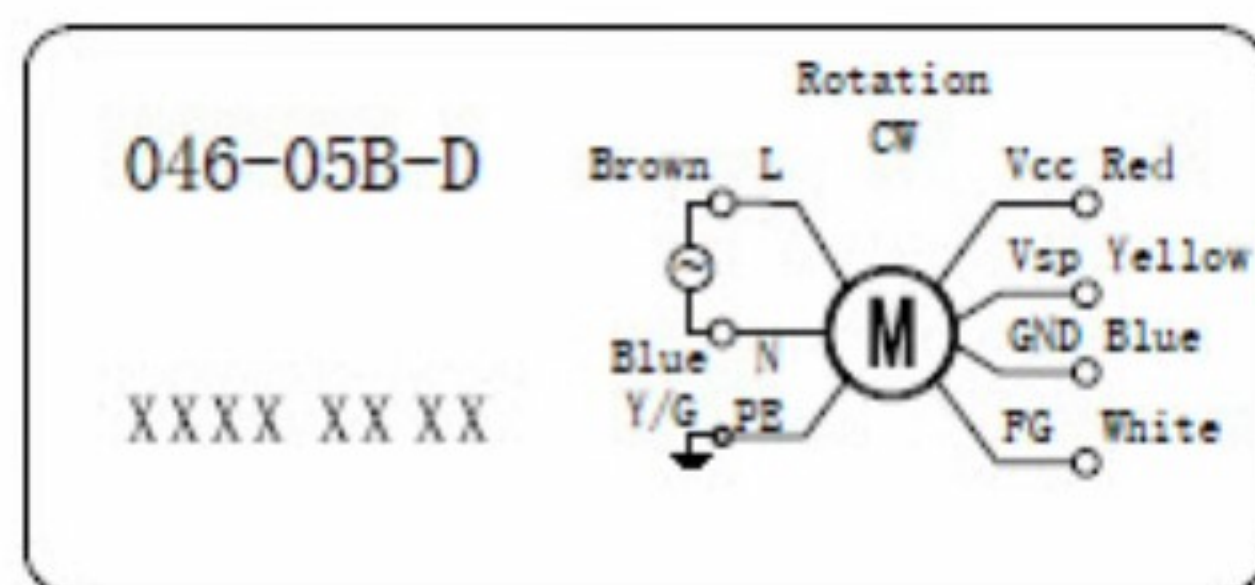


【LEAD WIRES ASS'Y ①】
电线 WIRES: 3*AWG20

NO.	信号名 SIGNAL	颜色 COLOR	规格 SPEC
1	L	棕 BROWN	AC220V/50Hz
2	N	蓝 BLUE	AC220V/50Hz
3	PE	黄/绿 YELLOW/GREEN	接地 EARTH

【LEAD WIRES ASS'Y ②】
电线 WIRES: 4*AWG22

NO.	信号名 SIGNAL	颜色 COLOR	规格 SPEC
1	Vcc	红 RED	DC10V输出
2	Vsp	黄 YELLOW	0-10VDC/PWM
3	GND	蓝 BLUE	GND
4	FG	白 WHITE	1 Pulse/R



POLE STAR PRODUCTS
GMA1-200S-EC-2
230V/50HZ, MAX: 55W, 0.4A
1300RPM, CL.F, IP54

ERP2015
*** Exempt as under 125watts***

www.psp.uk.com 06/22
P0702947 A3P200-EC092

SPECIFICATION					
Motor	EC	Speed (RPM)	2600	Bearings	Ball
Voltage (V)	200-277	Motor Protection	Electronic	Weight (Kg)	
Frequency (Hz)	50/60	Insulation Class	B	Noise dB(A)	
Power In/Out (W)	80	Protection Class	IP54		
Current (A)	0.6				

POLE STAR
PRODUCTS LIMITED

POLE STAR PRODUCTS LIMITED	
Product Code	GMA1-200S-EC-2
Projection Angle	± 3°
	A4 Scale: Sheet: 1 of