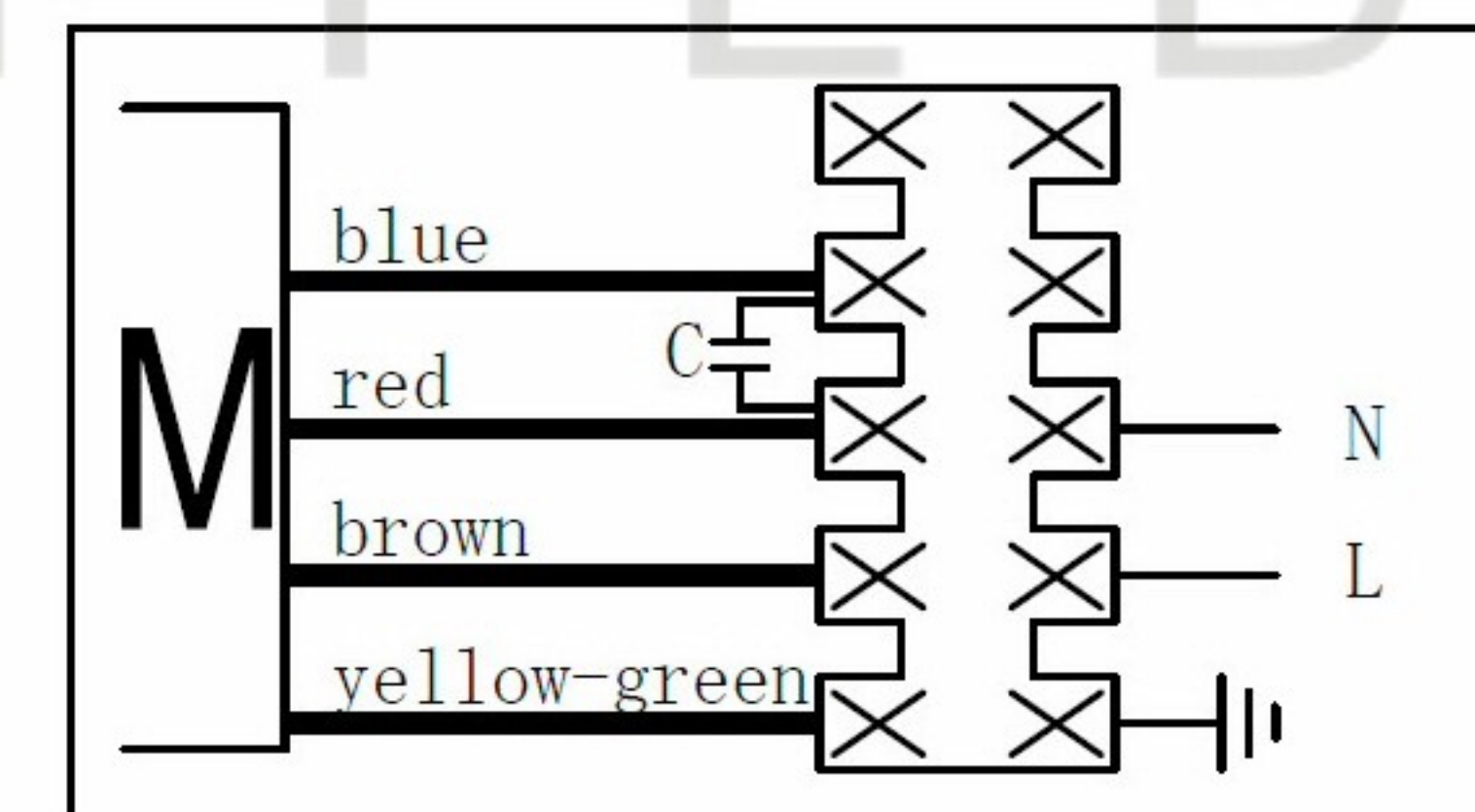


PS: Fan working performance tested with Maer wall plate, and under standard atmospheric pressure at 20 °C.

The external wiring diagram:



SPECIFICATION

Motor	PSC	Speed (RPM)	2690	Bearings	Ball
Voltage (V)	230	Motor Protection	Th. Prot.	Weight (Kg)	2.7
Frequency (Hz)	50	Insulation Class	F	Air Volume (M³/h)	
Power In/Out (W)	180	Protection Class	IP23	Noise Level (dBA)	
Current (A)	0.8	Capacitor (Mf)	6.0	Pressure (Pa)	

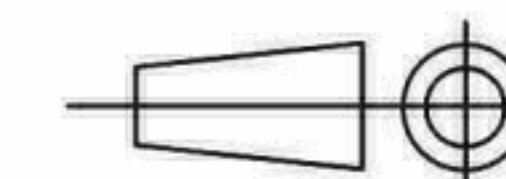
**POLE STAR**  
PRODUCTS LIMITED

POLE STAR PRODUCTS LIMITED

Product Code

**BPI-2-250/86-2**

Projection  
Angle  
± 3°



A4

Scale:

Sheet: 1 of