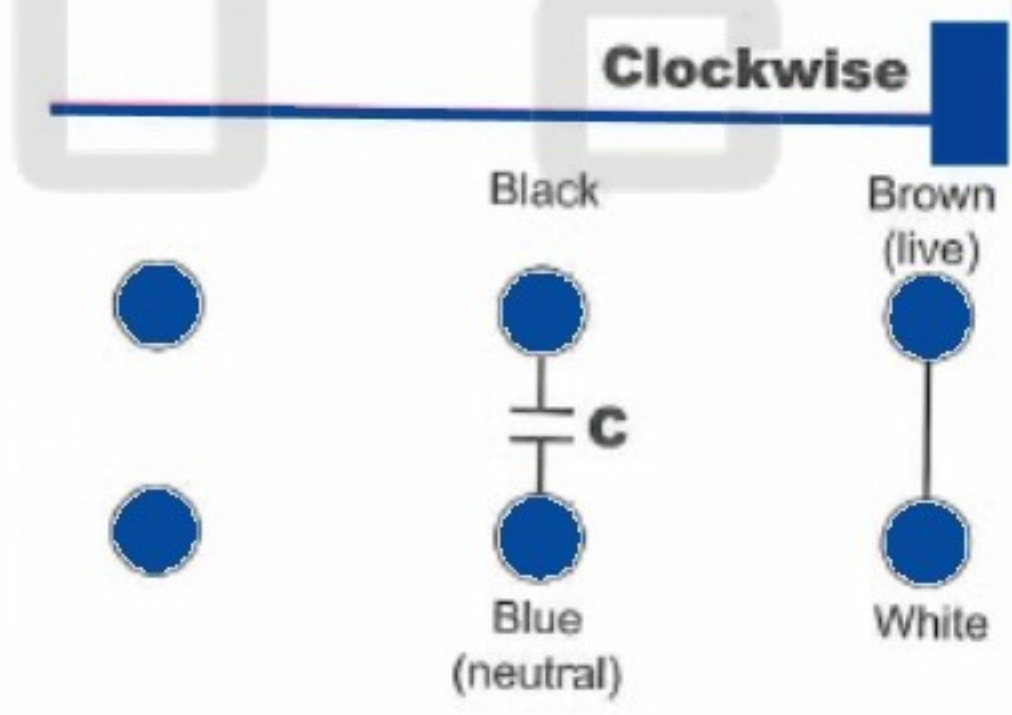
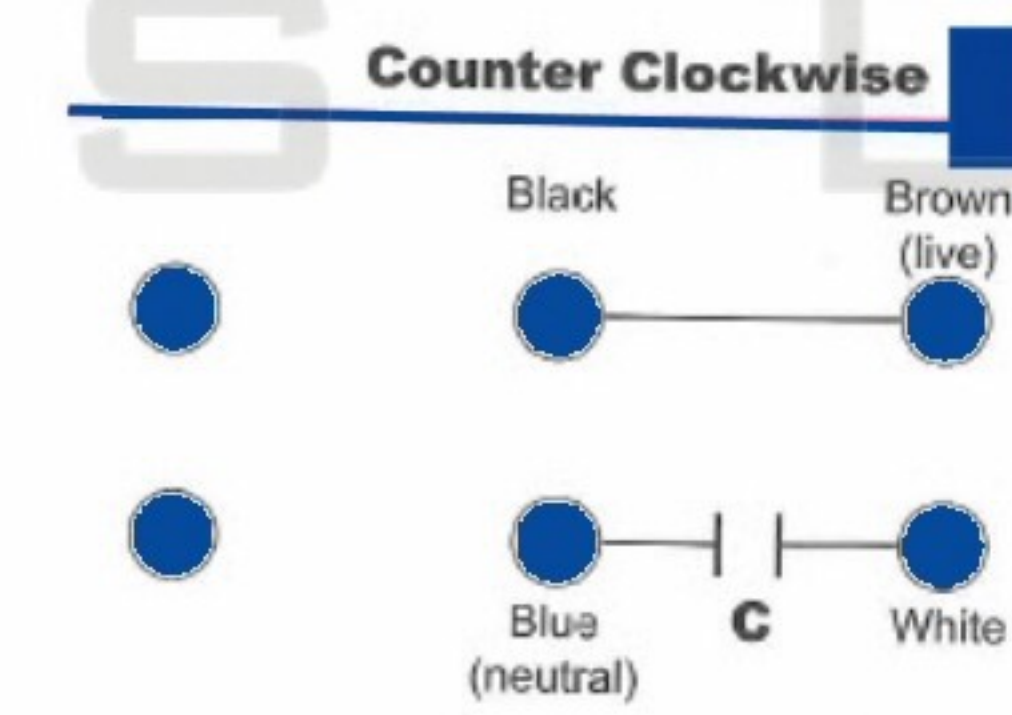


N°2 fori ø9



**Clockwise**  
Brown & black to live  
White & blue to neutral  
Yellow & green to earth



**Counter Clockwise**  
Brown & white to live  
Black & blue to neutral  
Yellow & green to earth



SPECIFICATION					
Motor	PSC	Speed (RPM)	2750	Bearings	Ball
Voltage (V)	220/240	Motor Protection	Th.Prot.	Weight (Kg)	
Frequency (Hz)	50	Insulation Class	F		
Power In/Out (W)	70	Protection Class	IP42	Amb. Temp	
Current (A)	0.68	Capacitor (MF)	4.0		

**POLE STAR**  
PRODUCTS LIMITED

POLE STAR PRODUCTS LIMITED	
Product Code	<b>BM75-03</b>
Projection Angle	± 3°
	A4
	Scale:
	Sheet: 1 of