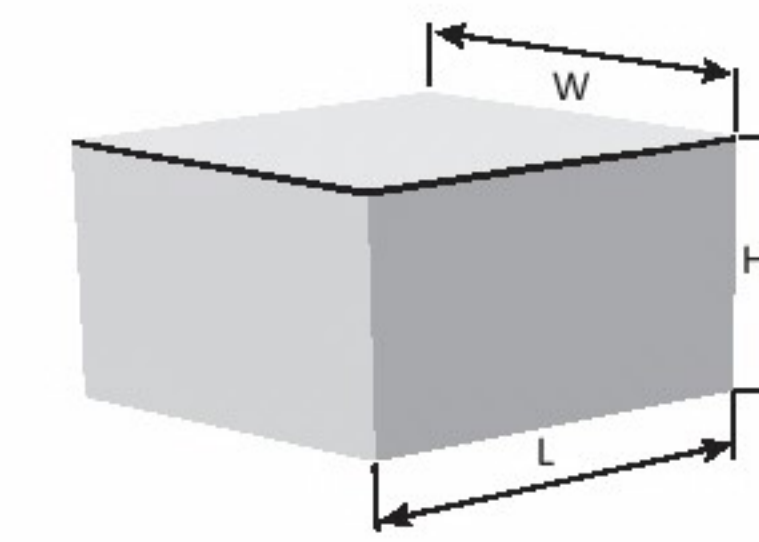


Wiring and connections

L	Supply voltage (230 VAC / 50–60 Hz)
U1	Output to the motor (230 VAC / 50–60 Hz / 10 A (3 A))
U2	Output to the motor (230 VAC / 50–60 Hz / 10 A (3 A))
U3	Output to the motor (230 VAC / 50–60 Hz / 10 A (3 A))
Connections	Cable cross section: max. 2,5 mm ²



Article	Packaging	Length [mm]	Width [mm]	Height [mm]	Net weight	Gross weight
SMT-1-30	Unit (1 pc.)	95	85	70	0,16 kg	0,18 kg
	Carton (10 pcs.)	492	182	84	1,6 kg	2,02 kg
	Box (60 pcs.)	590	380	280	9,6 kg	13 kg

Switch & connection schemes

Switch diagram SMT-1-30-3B				Motor connections			
Knob position	1	2	3	L	U1	U2	U3
L	X			Supply	Motor		
		X					
			X				

Switch diagram SMT-1-30-4C				Motor connections				
Knob position	0	1	2	3	L	U1	U2	U3
L		X			Supply	Motor		
			X					
				X				

P O L E S T A R P R O D U C T S L I M I T E D

Key features
• Rotary knob for manual speed adjustment of multi-stage electric motors
• Inset or surface mounting

Standards
• Low Voltage Directive 2014/35/EC
• RoHS Directive 2011/65/EC

CE

Technical specifications	
Supply	≤ 230 VAC / 50–60 Hz
Outputs	230 VAC / 50–60 Hz
Load	max. 10 A (resistive) / 3 A (inductive)
Protection standard	IP44 / IP54 (according to EN 60529)
Ambient conditions	Temperature 0–50 °C
	Rel. humidity < 95 % rH (non-condensing)



SPECIFICATION		Speed (RPM)	Bearings	Ball
Motor				
Voltage (V)		Motor Protection	Weight (Kg)	
Frequency (Hz)		Insulation Class	Noise dB(A)	
Power In/Out (W)		Protection Class		
Current (A)		Capacitor (MF)		

POLE STAR

P R O D U C T S L I M I T E D

POLE STAR PRODUCTS LIMITED	
Product Code	PSKC.003
Projection Angle	
± 3°	A4 Scale: Sheet: 1 of