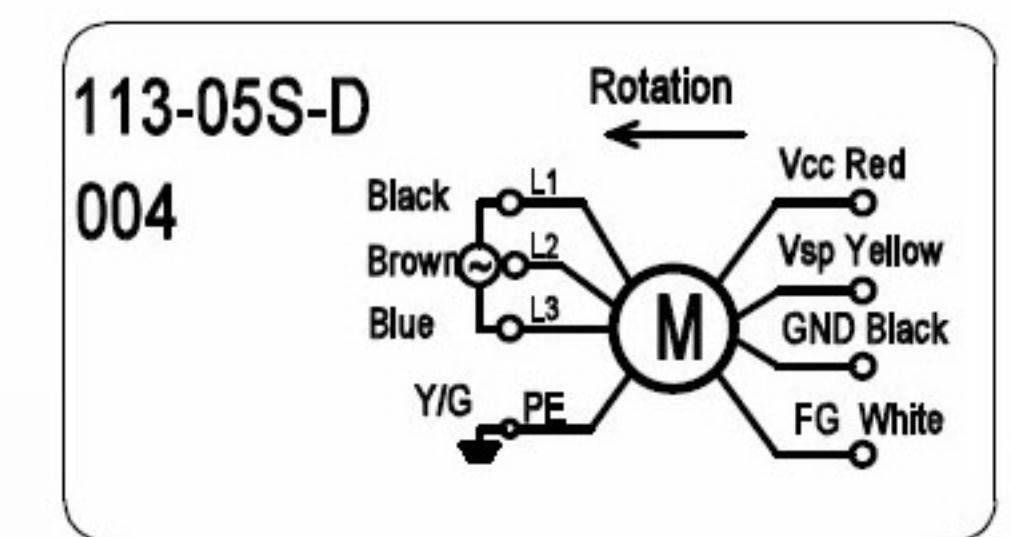


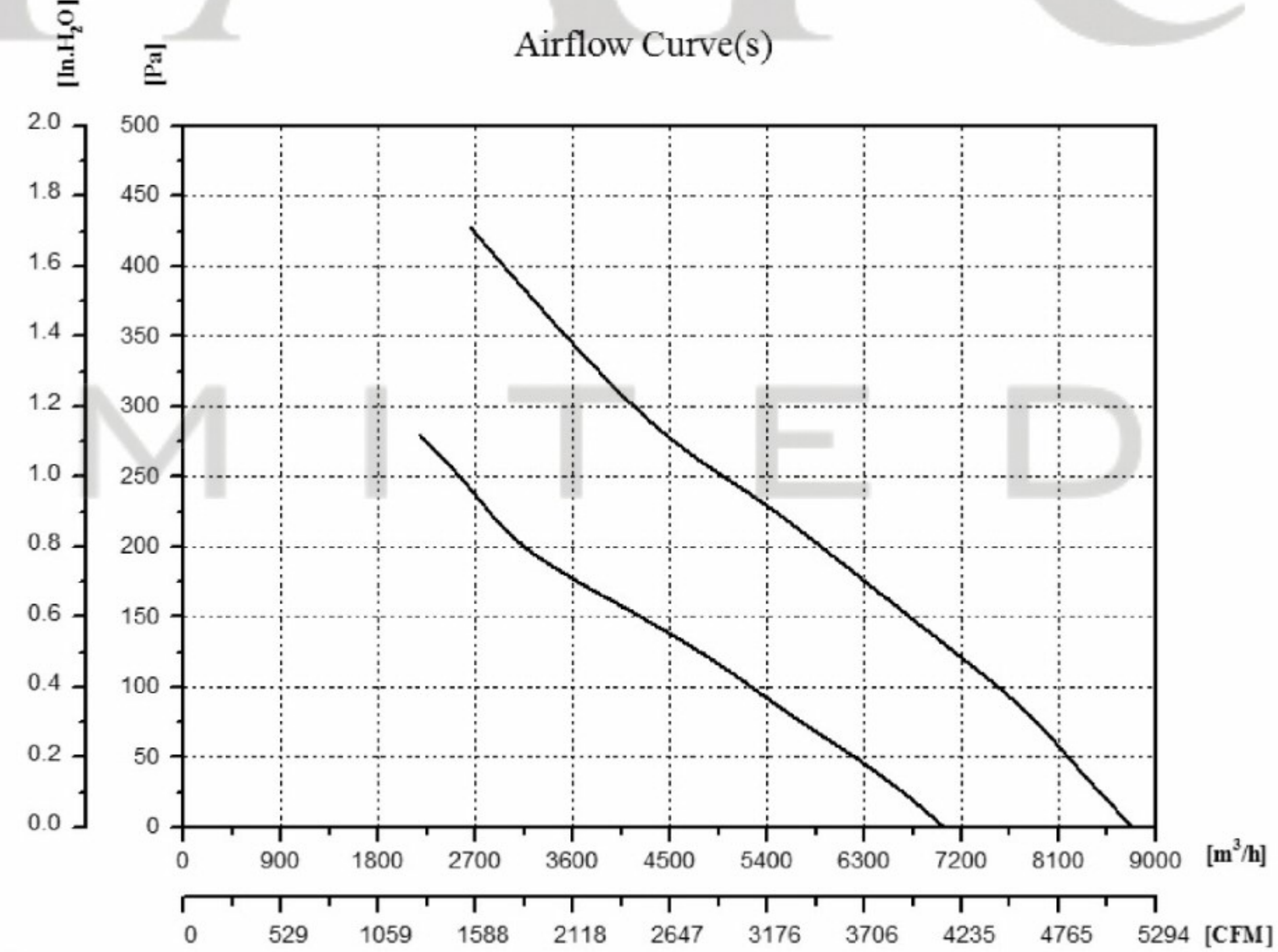
Measured Values

序号 No.	电压 Volt V	转速 Speed r/min	输入功率 Input W	静压 State Pressur Pa	流量 AirFlow m ³ /h	流量 CFM	序号 No.	电压 Volt V	转速 Speed r/min	输入功率 Input W	静压 State Pressur Pa	流量 AirFlow m ³ /h	流量 CFM		
1	400	1582	1433.6	427.1	1.71	2659.0	1564.1	10	400	1269	742.1	279.2	1.12	2191.0	1288.8
2	400	1591	1134.5	282.4	1.13	4290.8	2524.0	11	400	1271	677.6	240.8	0.96	2683.3	1578.4
3	400	1590	1083.3	239.5	0.96	5242.4	3083.8	12	400	1267	611.5	200.1	0.80	3052.7	1795.7
4	400	1590	1026.5	200.8	0.80	5893.9	3467.0	13	400	1273	556.0	160.2	0.64	4000.3	2353.1
5	400	1591	985.7	159.7	0.64	6560.2	3859.0	14	400	1270	512.9	120.7	0.48	4909.6	2888.0
6	400	1589	932.2	119.6	0.48	7226.3	4250.7	15	400	1271	480.5	80.4	0.32	5587.1	3286.5
7	400	1590	881.2	81.0	0.32	7856.0	4621.2	16	400	1272	442.2	39.9	0.16	6441.1	3788.9
8	400	1590	842.9	40.2	0.16	8286.5	4874.4	17	400	1272	405.7	0.7	0.00	7033.0	4137.0
9	400	1592	775.3	0.3	0.00	8786.8	5168.7								

Pole Star Products Ltd
www.psp.uk.com
MODEL:GMA3-500S-EC
400V 50/60Hz 1.6Amp
950W 1600rpm Th.Prot CL:F
ErP2015 η=34.8% (A_{static}) N40 N=41



信号名 SIGNAL	颜色 COLOR	规格 SPEC
L1	黑 BLACK	AC400V 50/60Hz
L2	棕 BROWN	AC400V 50/60Hz
L3	蓝 BLUE	AC400V 50/60Hz
PE	黄/绿 YELLOWGREEN	接地 EARTH
Vcc	红 RED	DC10V输出
Vsp	黄 YELLOW	0-10V/PWM
GND	黑 BLACK	GND
FG	白 WHITE	Pulse/R



Data according to ErP Directive: Actual Req.2015
 Installation category: A static
 Efficiency category: 34.84 33.74
 Overall Efficiency ηes: 41.09 40
 Efficiency grade N:
 Variable speed drive: yes
 Power consumption Ped: W 1027
 Air flow qv: m³/h 5894
 Pressure increase P_s: Pa 201
 Speed(rpm) n: min⁻¹ 1590
 **ErP2015

SPECIFICATION					
Motor	EC	Speed (RPM)	1600	Bearings	Ball
Voltage (V)	380~480V	Motor Protection	Th.Prot	Weight (Kg)	12.5
Frequency (Hz)	50/60	Insulation Class	F	Noise dB(A)	76
Power In/Out (W)	950	Protection Class	IP54	Airflow (m3/h)	8790
Current (A)	1.6	Ambient °C	-20°C~+60		

POLE STAR
PRODUCTS LIMITED

POLE STAR PRODUCTS LIMITED
 Product Code
GMA3-500S-EC
 Projection Angle ± 3°
 A4
 Scale:
 Sheet: 1 of