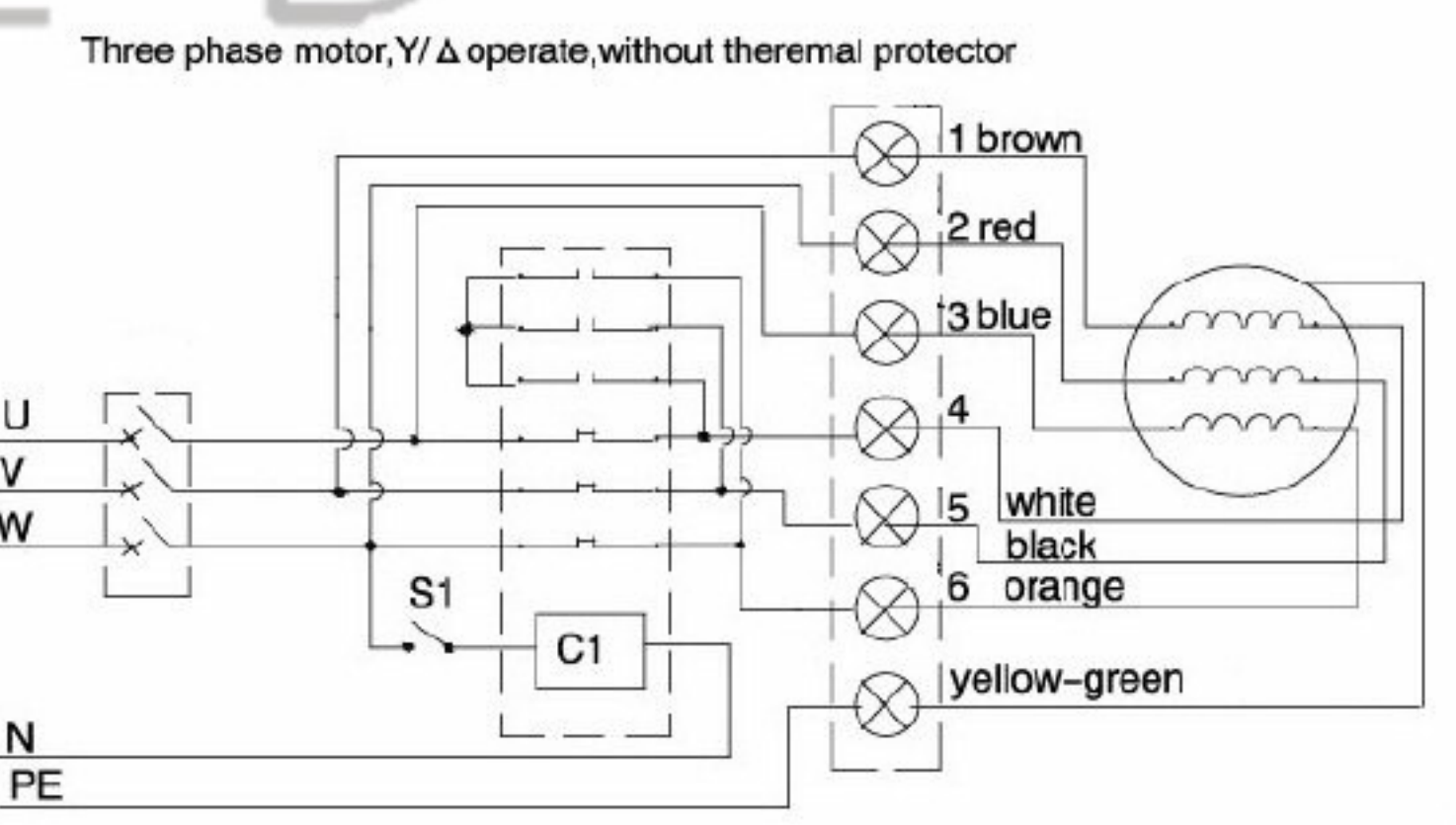


C1-Run control touch machine, connect S1, run fan.  
C2-Y/Δ Control touch machine, S2 cut, Δ connection; S2 connect, Y connection.



All measurements shown are in millimeters

SPECIFICATION					
Motor	PSC	Speed (RPM)	1380	Bearings	Ball
Voltage (V)	380	Motor Protection	Th. Prot	Weight (Kg)	3.5
Frequency (Hz)	50	Insulation Class	F	Air Volume (M <sup>3</sup> /h)	1800
Power In/Out (W)	90	Protection Class	IP54	Noise Level (dBA)	60
Current (A)	0.3	Temp. Range	-30 +60	Capacitor (MF)	

**POLE STAR**  
PRODUCTS LIMITED

POLE STAR PRODUCTS LIMITED	
Product Code	
<b>GMA3-315B-1</b>	
Projection	A4
Angle	Scale:
± 3°	Sheet: 1 of