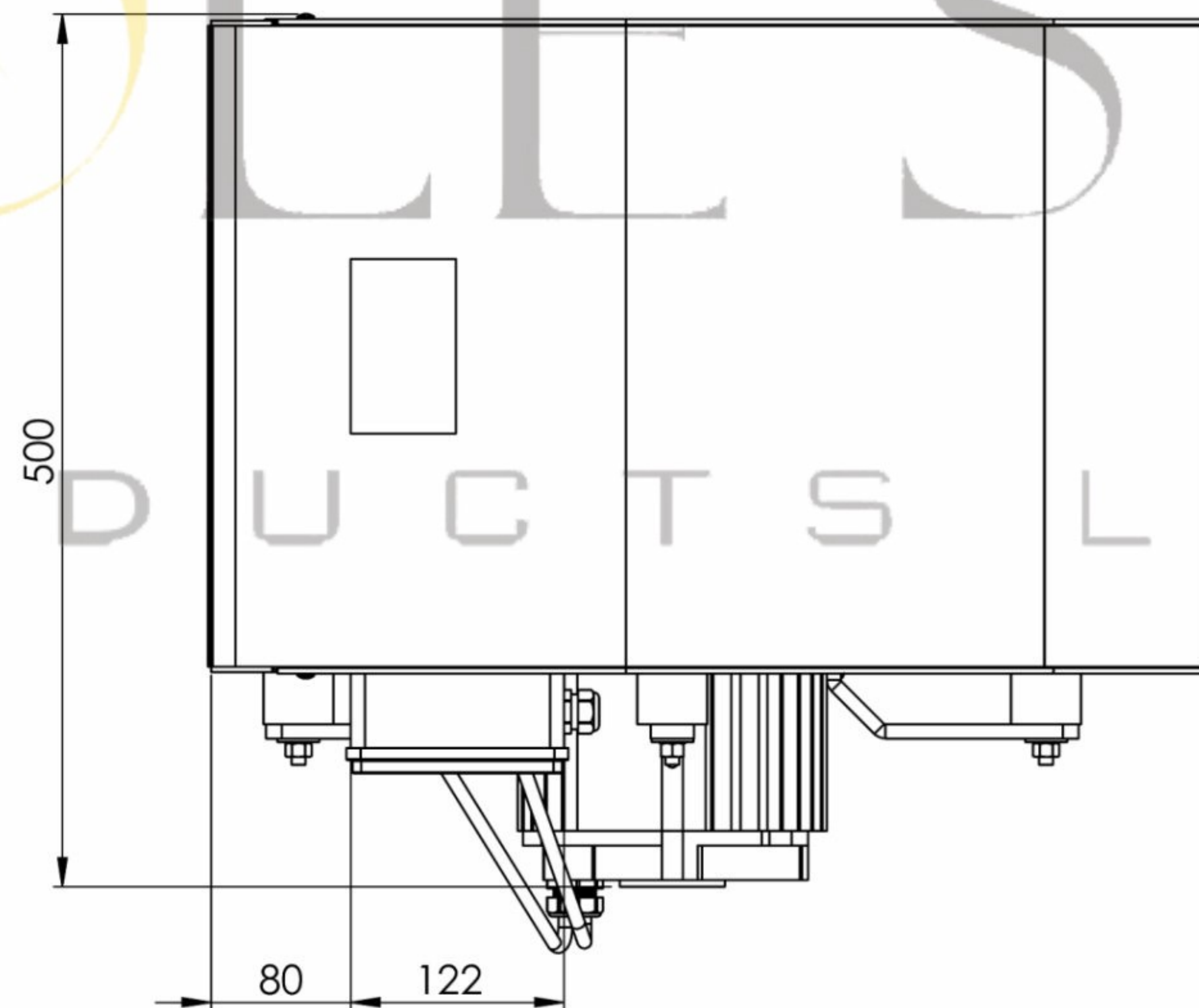
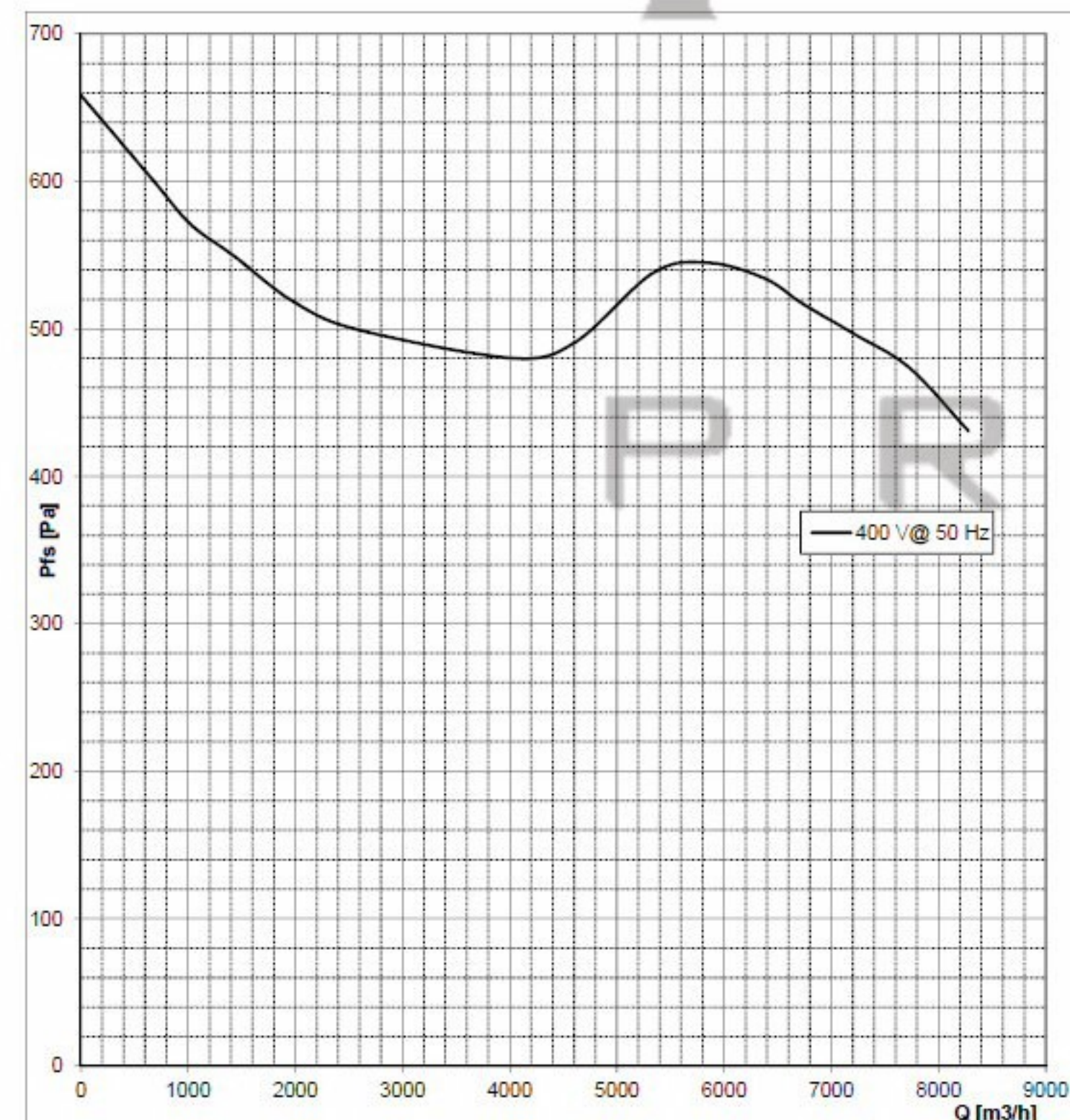
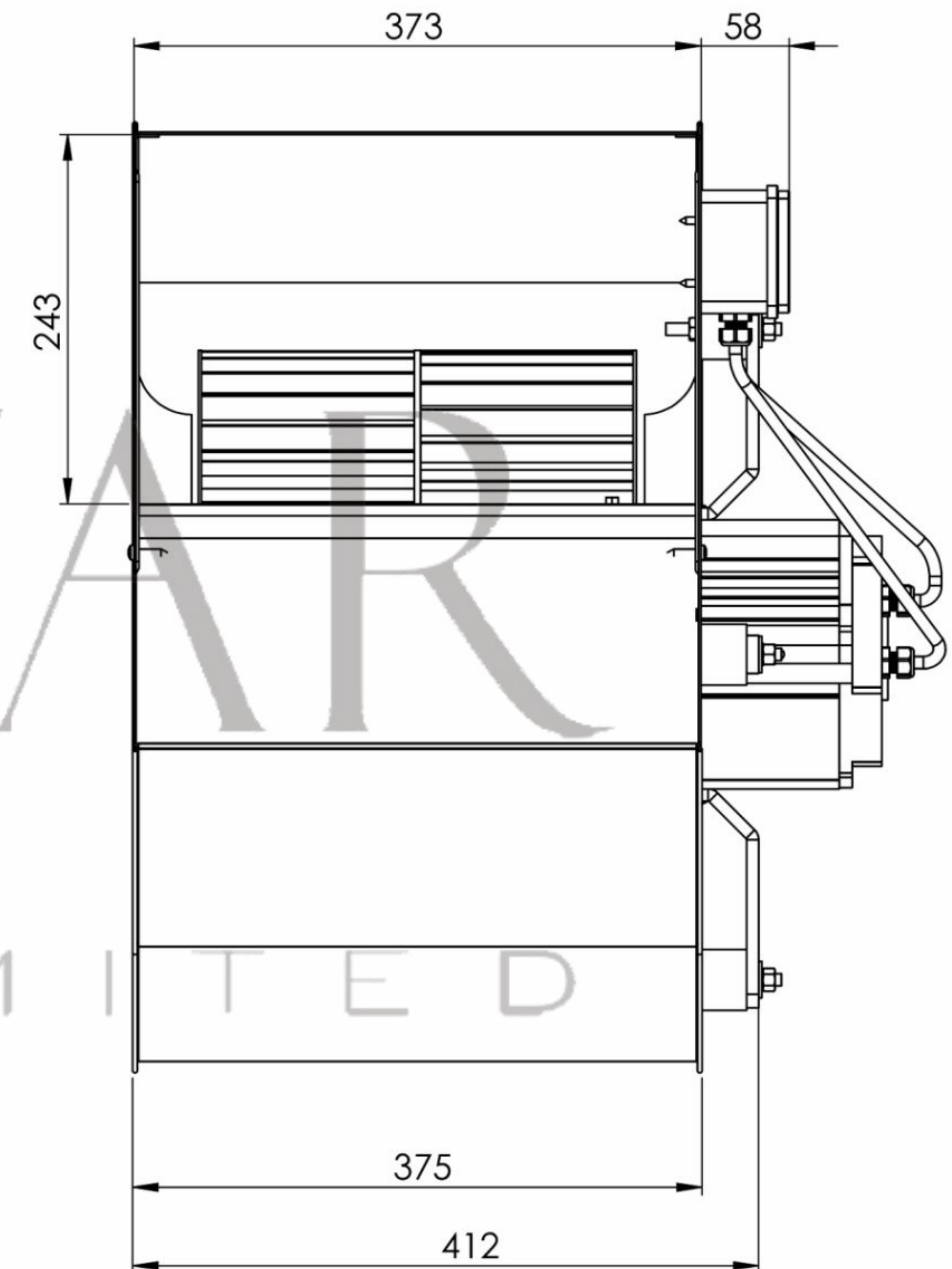
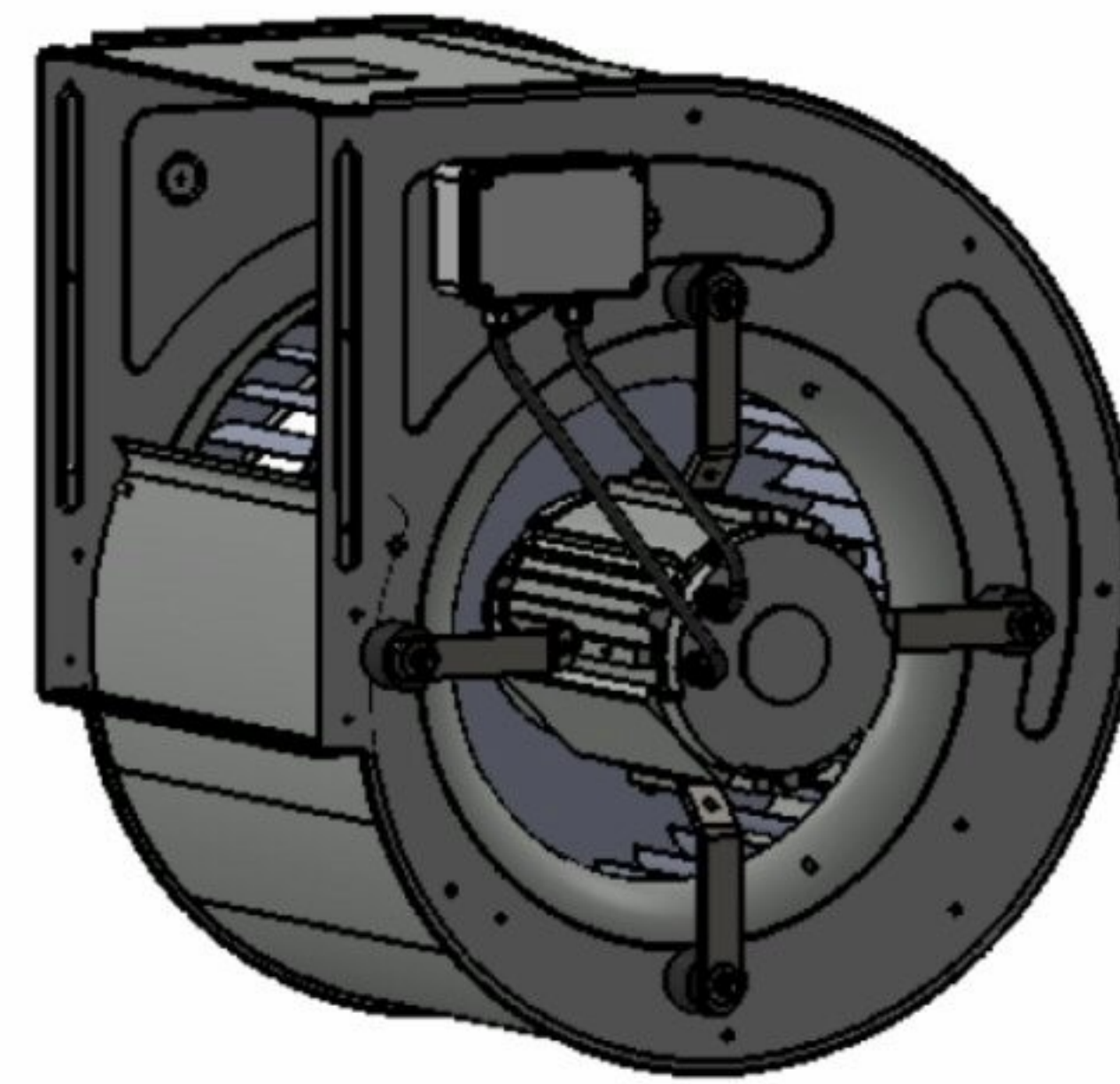
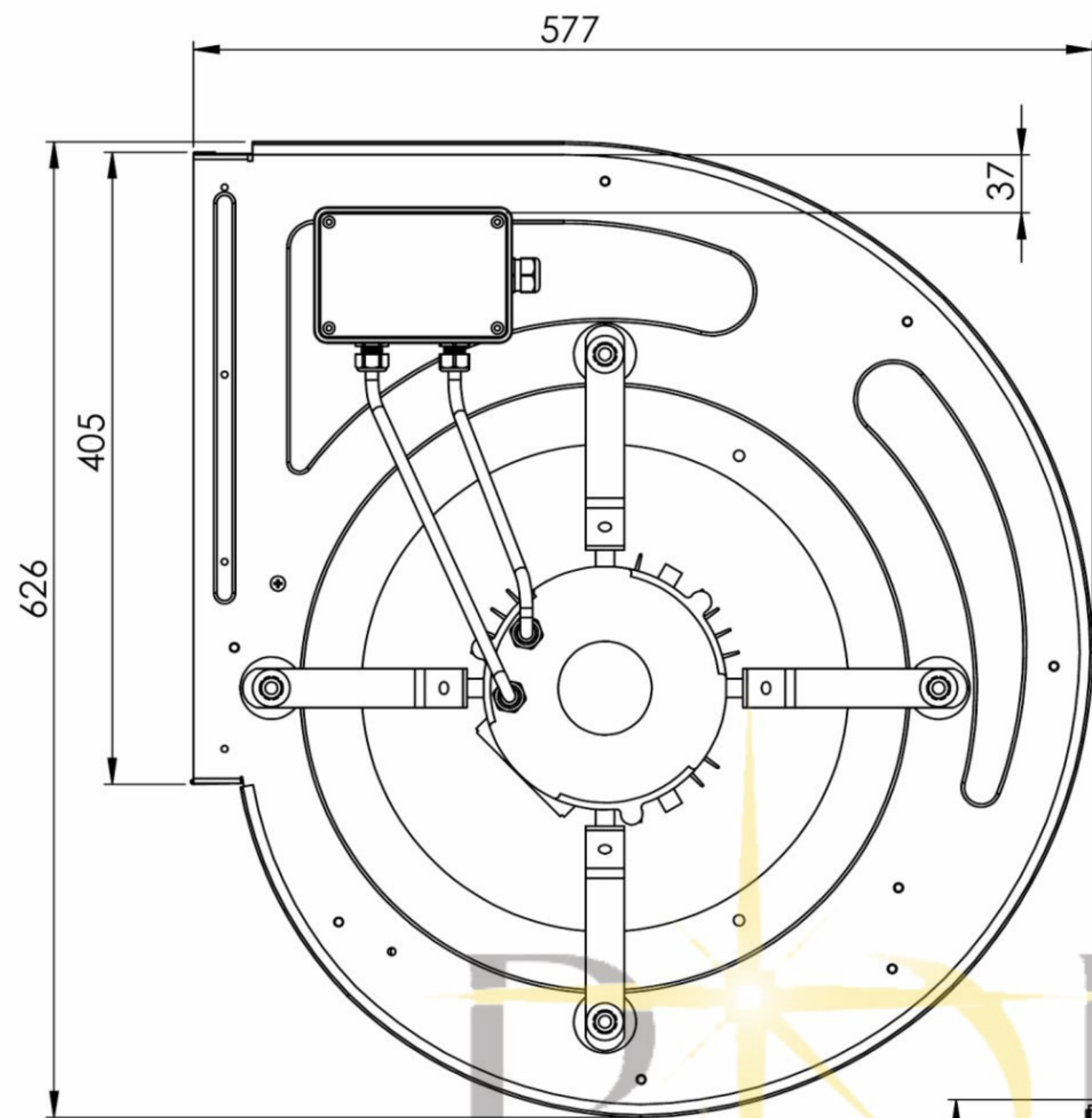


Drawing Version	01
Drawn by	AJC
Date	2/22



SPECIFICATION

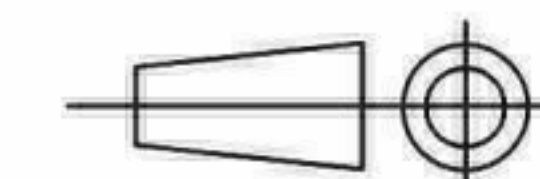
Motor	3ph	Speed (RPM)	6 Pole	Bearings	Ball
Voltage (V)	400/230	Motor Protection	Th.Prot	ErP 2015	Pass
Frequency (Hz)	50	Insulation Class	F	Air Volume (M³/h)	8150
Power In/Out (W)	2200	Protection Class	IP55	Noise Level (dBA)	
Current (A)	10.7/6.2	Speeds	1	Pressure (Pa)	

POLE STAR
PRODUCTS LIMITED

POLE STAR PRODUCTS LIMITED

Product Code
DD15/11-S2200/1V-3P

Projection
Angle
± 3°



A4
Scale:
Sheet: 1 of