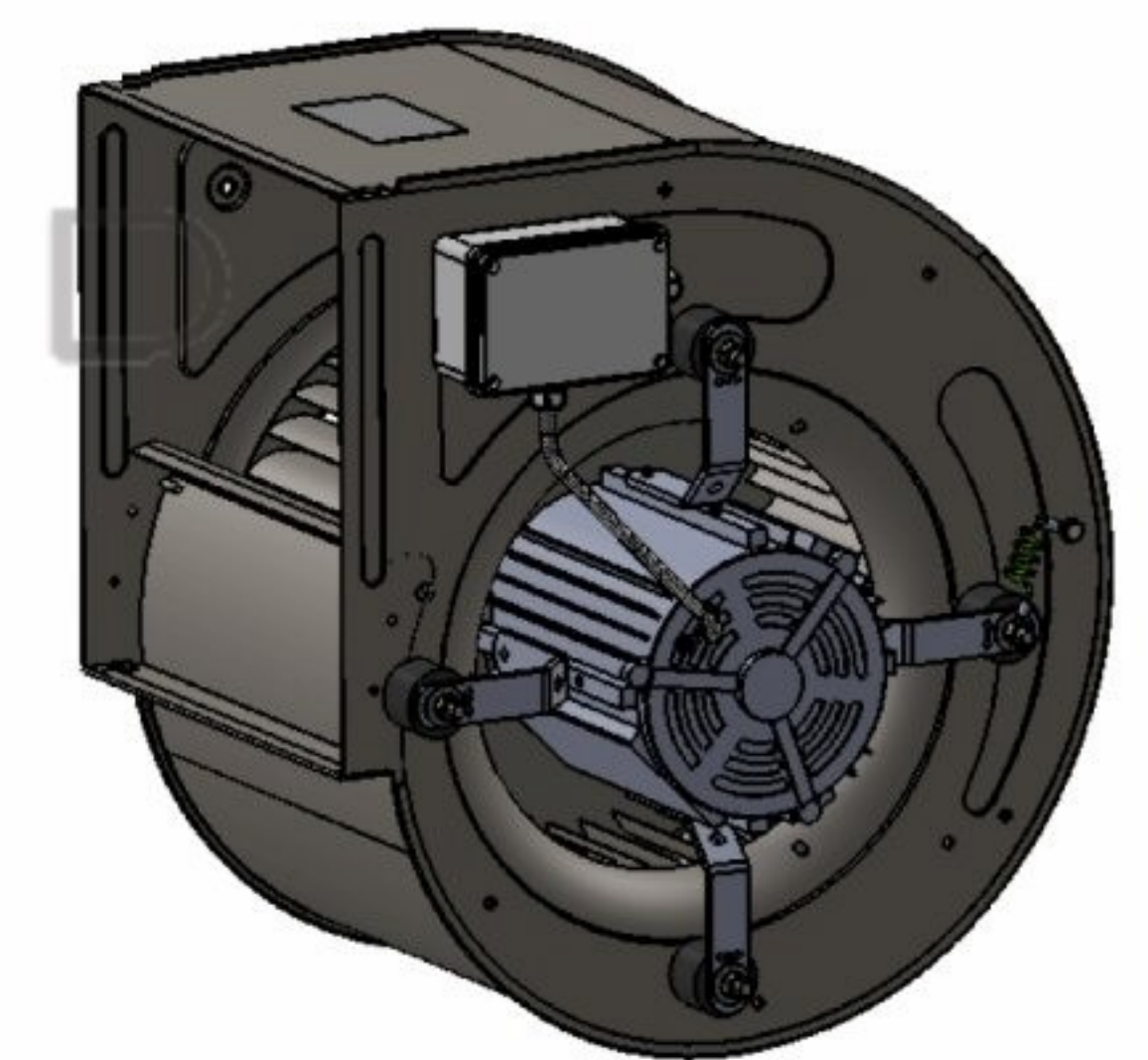
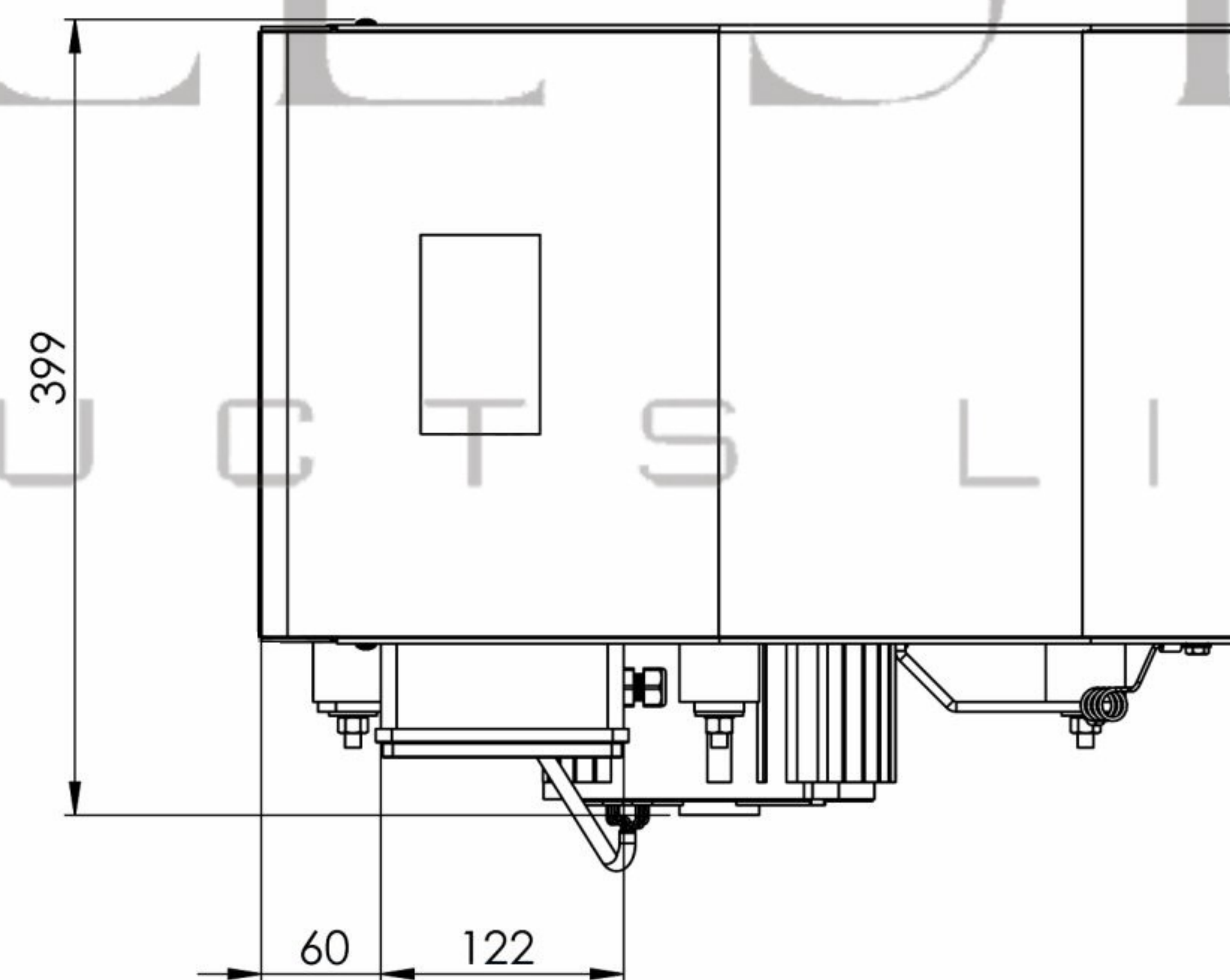
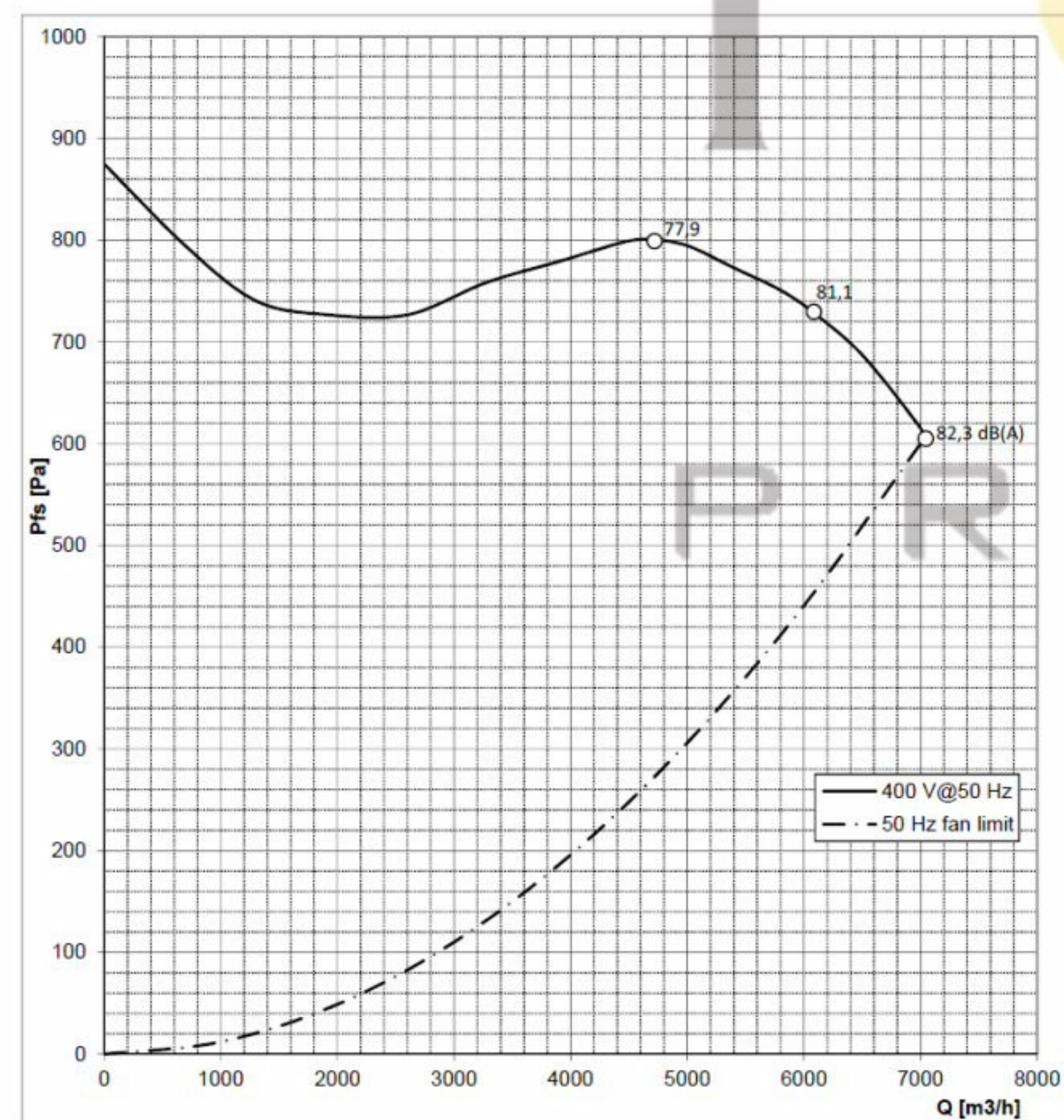
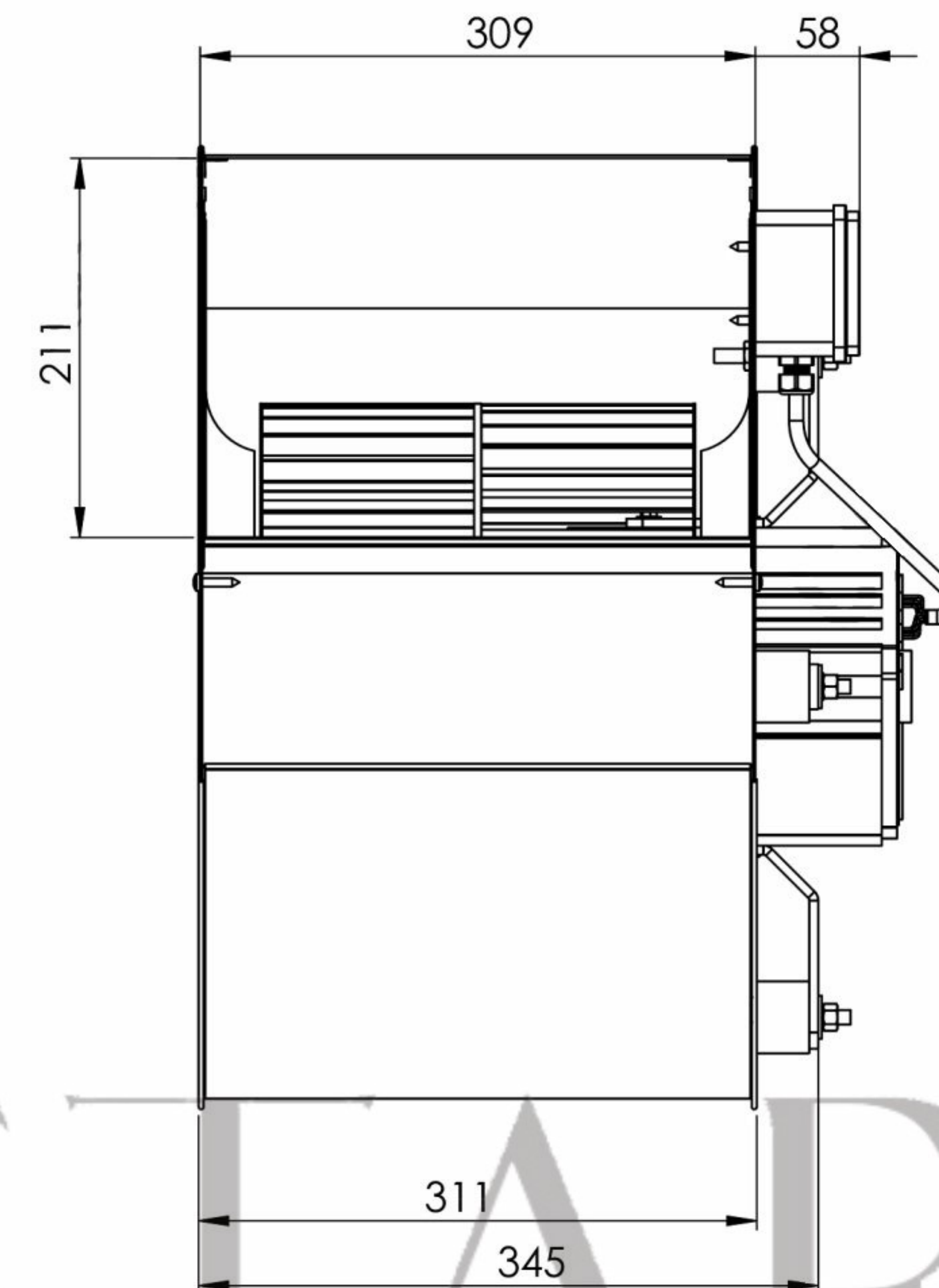
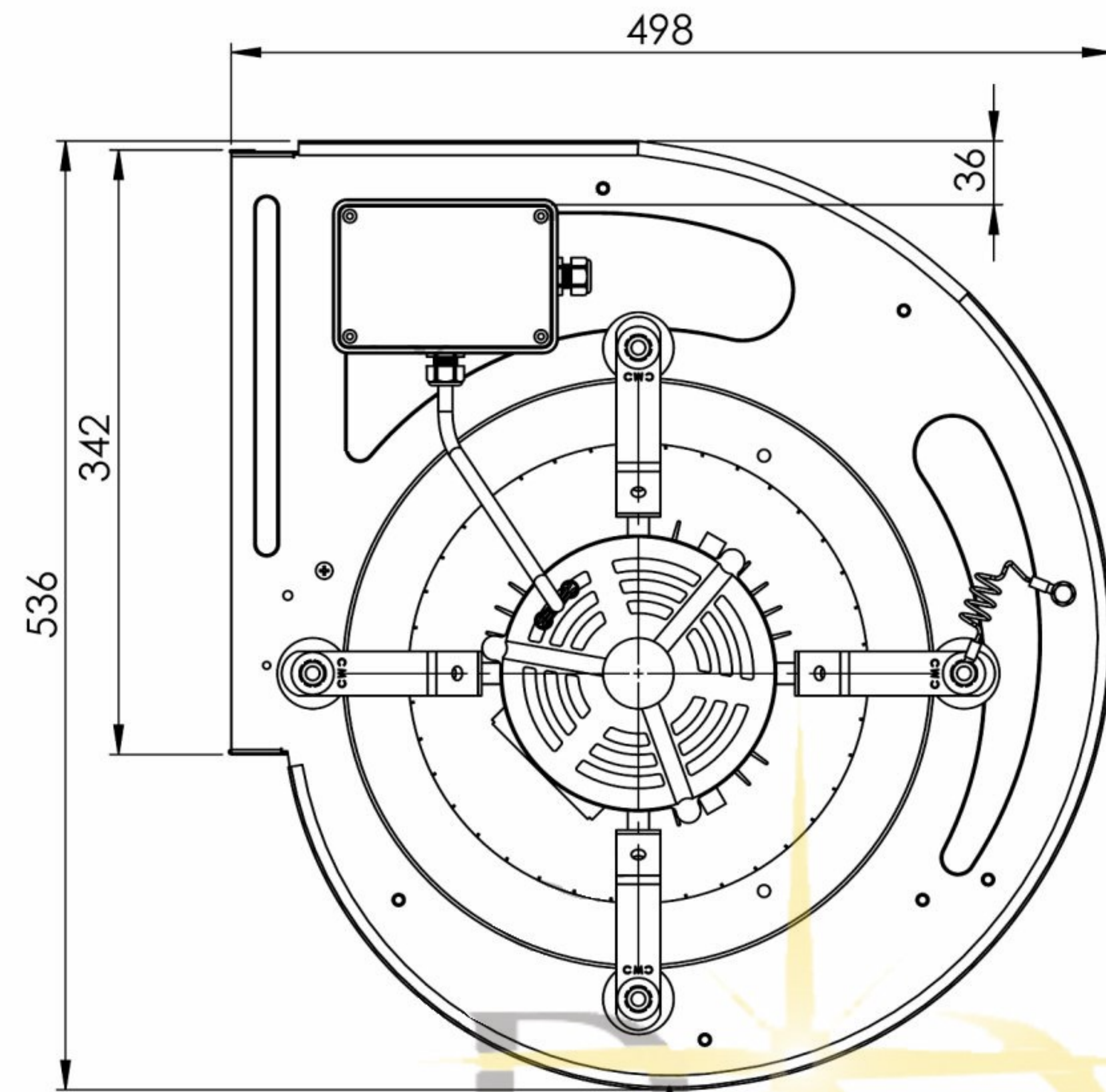


Drawing Version	01
Drawn by	AJC
Date	2/22



SPECIFICATION

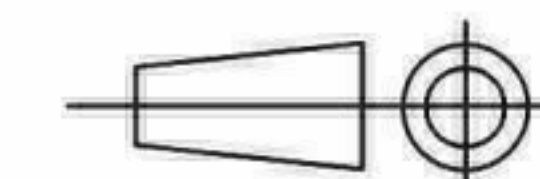
Motor	3ph	Speed (RPM)	4 Pole	Bearings	Ball
Voltage (V)	400/230	Motor Protection	Th.Prot	ErP 2015	Pass
Frequency (Hz)	50	Insulation Class	F	Air Volume (M³/h)	7050
Power In/Out (W)	1500	Protection Class	IP20	Noise Level (dBA)	
Current (A)	6.5/11.2	Speeds	1	Pressure (Pa)	

POLE STAR
PRODUCTS LIMITED

POLE STAR PRODUCTS LIMITED

Product Code
DD12/9-F1500/1V-3P

Projection
Angle
± 3°



A4
Scale:
Sheet: 1 of