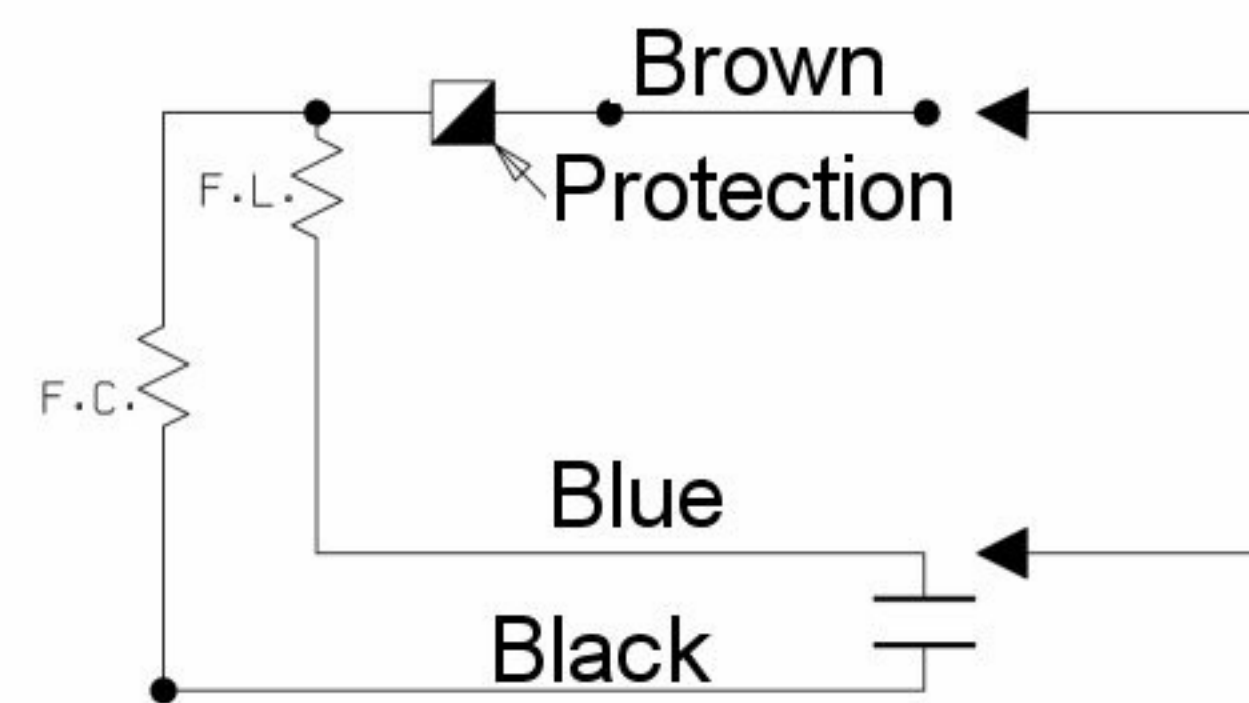


POLE STAR PRODUCTS LIMITED



SPECIFICATION | IP54 only when mounted vertically upwards with drip guard fitted

Motor	PSC	Speed (RPM)	660	Bearings	
Voltage (V)	220/240	Motor Protection	Th. Prot.	Weight (Kg)	
Frequency (Hz)	50	Insulation Class	B	Air Volume (M <sup>3</sup> /h)	
Power In/Out (W)	90	Protection Class	IP54	Capacitor value	4
Current (A)	1.35	Temp. Range		Speeds	1

**POLE STAR**  
PRODUCTS LIMITED

POLE STAR PRODUCTS LIMITED	
Product Code	<b>120EM90D-1</b>
Projection Angle	$\pm 3^\circ$
Scale:	A4
Sheet:	1 of 1