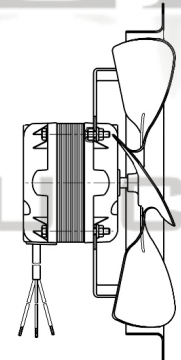
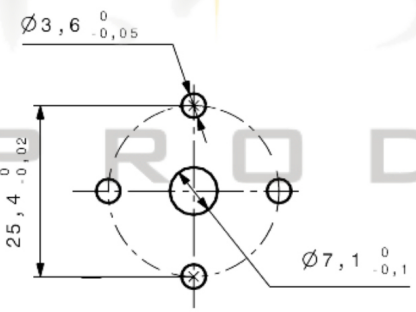
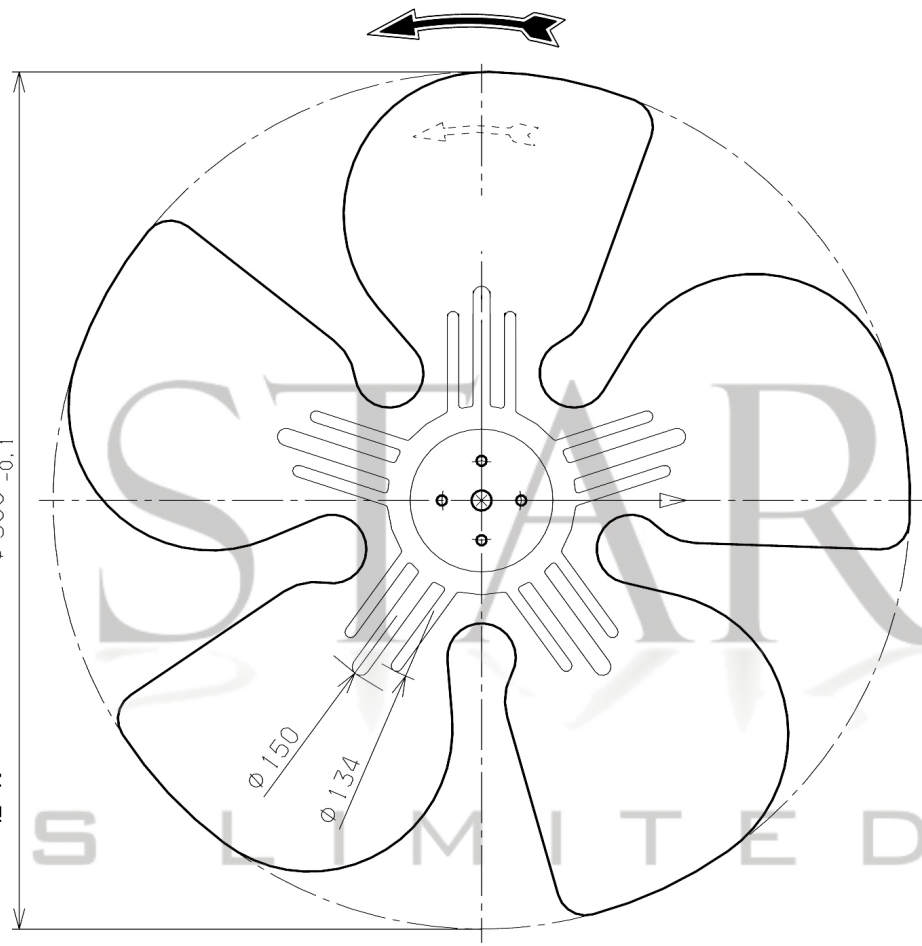


See table below for dimensions

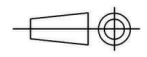


"SUCKING" = Air Over Blade - Over Motor



PART No.	PITCH	A	B	
FB-HL-300-19S	19	35	23	Material: Aluminium
FB-HL-300-22S	22	41	25	
FB-HL-300-28S	28	52.5	29	
FB-HL-300-31S	31	55	31	
FB-HL-300-34S	34	63	33	

**POLE STAR**  
PRODUCTS LIMITED

POLE STAR PRODUCTS LIMITED	
Product Code <b>Ø300mm Aluminium</b>	
Projection Angle ± 3°	
A4 Scale: Sheet: 1 of	