

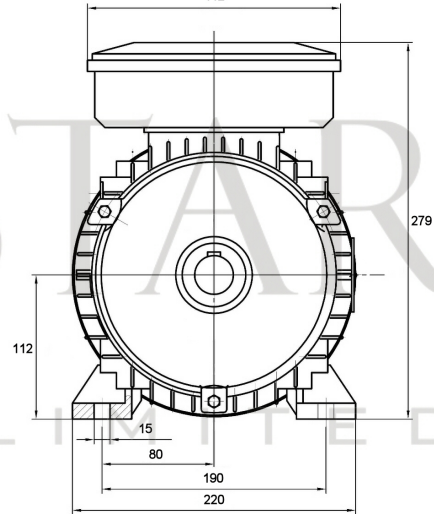
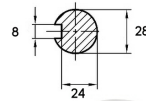
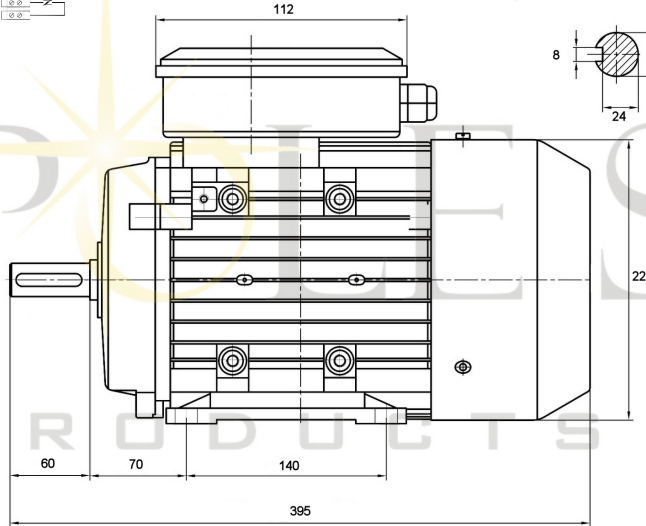
B5 Flange



B14 Flange



B3 Flange



Unit of Measurement: mm

SPECIFICATION					
Motor	IE	Speed (RPM)	3000	Bearings	Ball
Voltage (V)	220 - 240 380 - 420	Motor Protection	Res. Prot.	ATEX Rated	No
Frequency (Hz)	50Hz	Insulation Class	F	Junction Box Material	Metal
Power In/Out (W)	4000	Protection Class	IP55	Material	Aluminium
Current (A)	16.7 - 18.2 9.5 - 10.5	Phase Type	Three	Cooling Type	Fan

**POLE STAR**  
PRODUCTS LIMITED

POLE STAR PRODUCTS LIMITED	
Product Code	<b>112M-TM4000T-B3</b>
Projection Angle	± 3°
	A4
	Scale: 1 of 1

