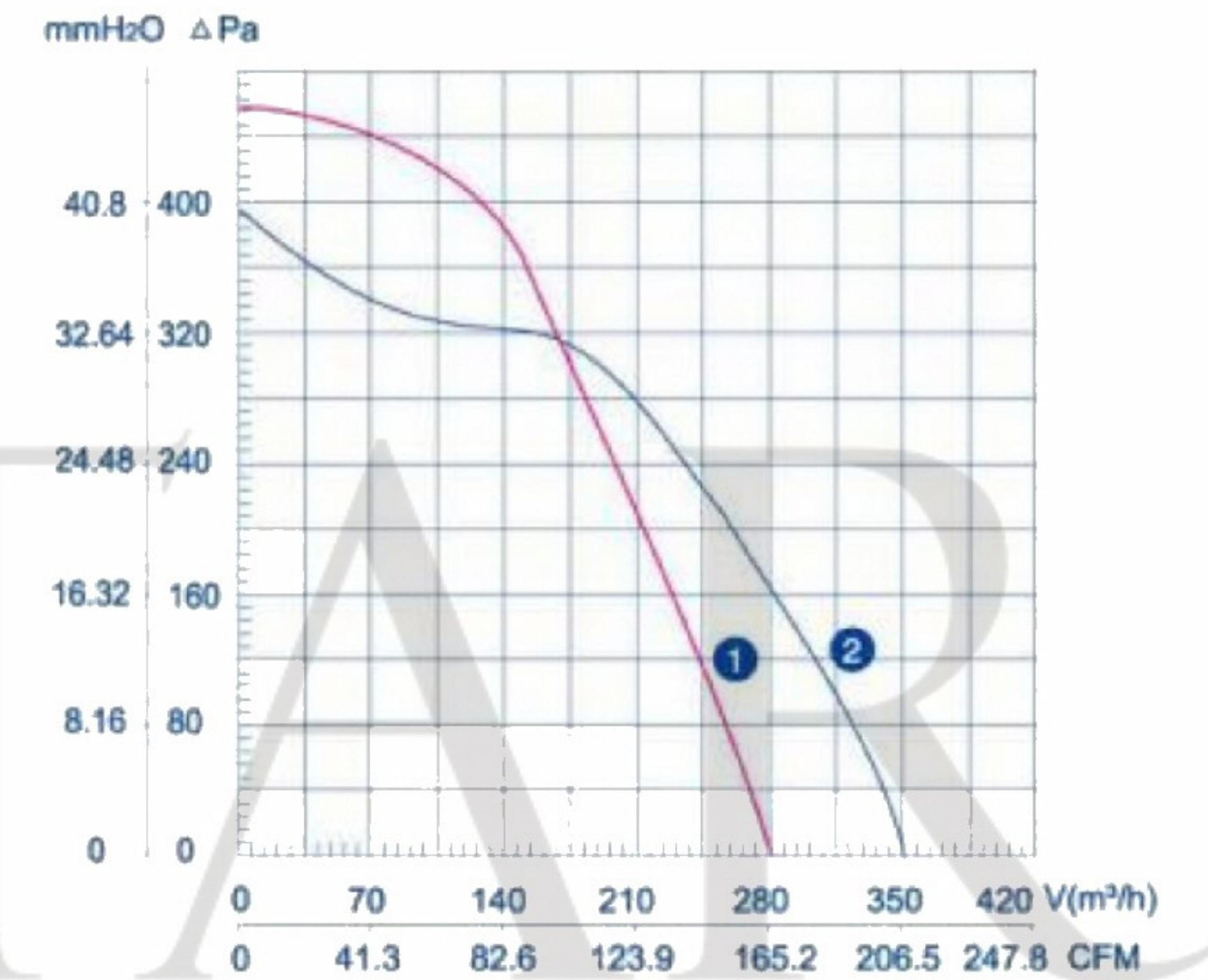
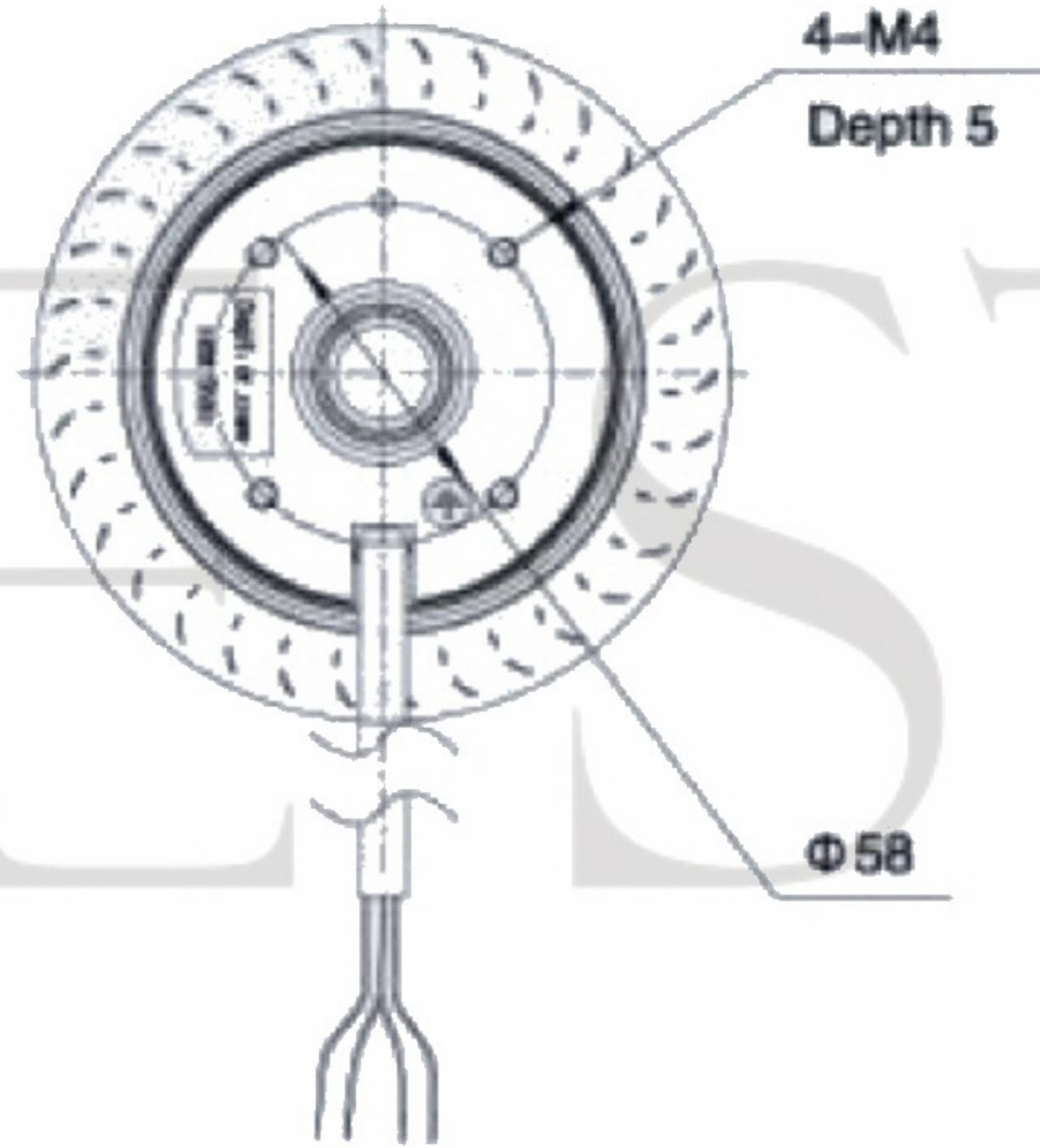
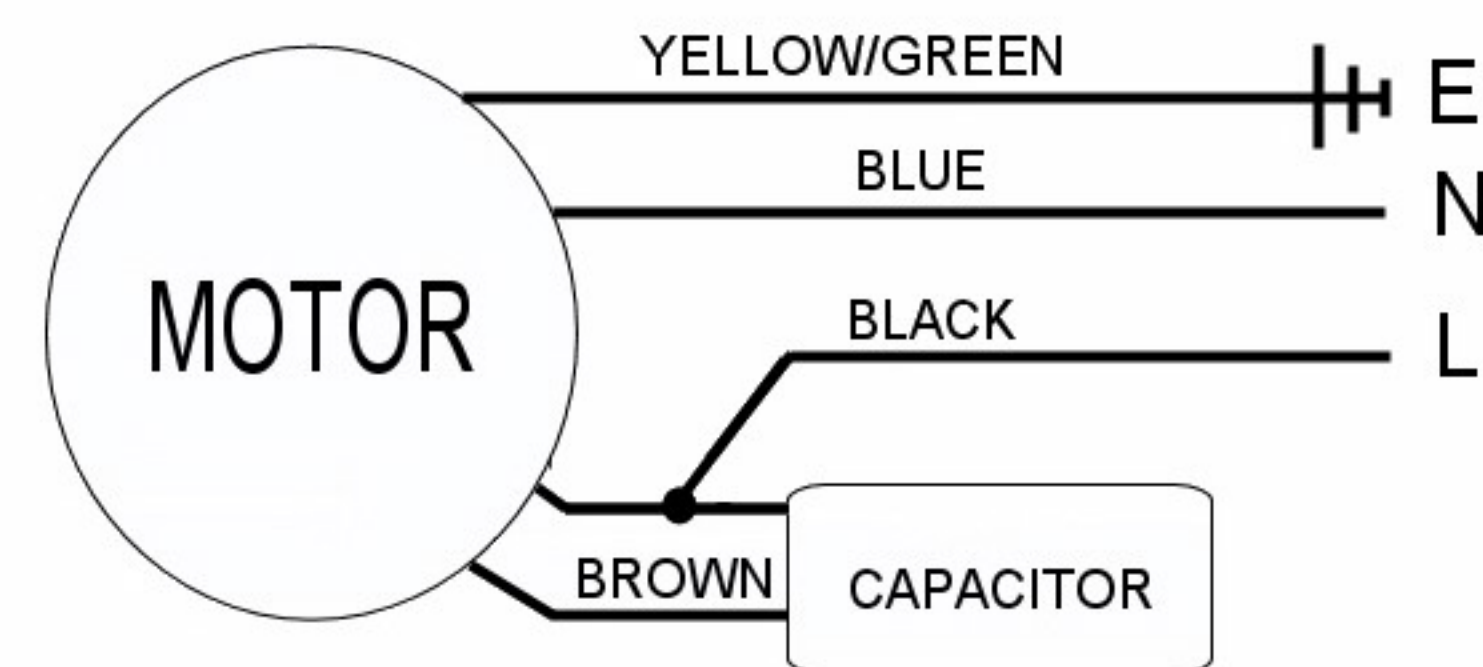


Type	A	B	C
LXFF2E133/50-M92/15-****	15	50	74
LXFF2E133/73-M92/35-****	35	73	97

Rotation Direction



POLE STAR PRODUCTS LIMITED



Production code (51w): LXFF2E133/50-M92/15-\*\*\*\* 1  
 Production code (93w): LXFF2E133/73-M92/35-\*\*\*\* 2

SPECIFICATION					
Motor	PSC	Speed (RPM)	2680	Bearings	Ball
Voltage (V)	220	Motor Protection	Th.Prot.	Weight (Kg)	2.2
Frequency (Hz)	50	Insulation Class	F	Noise dB(A)	52
Power In/Out (W)	93	Protection Class	IP44	Ambient	-25°C~+60°C
Current (A)	0.46	Capacitor (MF)	4.0	Airflow (M3/h)	350

**POLE STAR**  
 PRODUCTS LIMITED

POLE STAR PRODUCTS LIMITED	
Product Code	<b>FCI-2-133.73-1</b>
Projection Angle	± 3°
Scale:	A4
Sheet:	1 of 1